

ORDER INFORMATION:

SIM254046 - $\frac{08}{a}$ C - BL - $\frac{X}{b}$


MATERIAL:

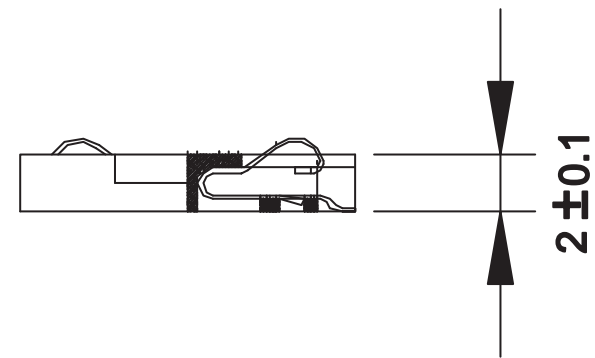
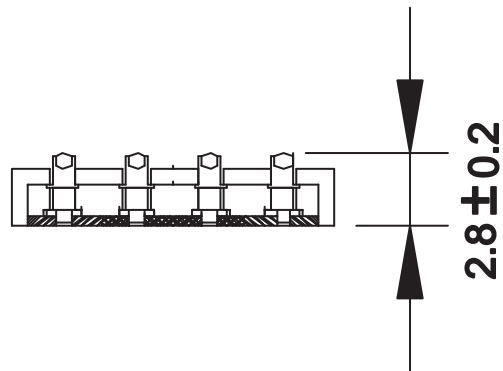
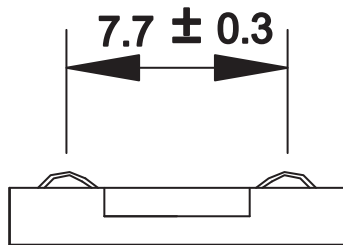
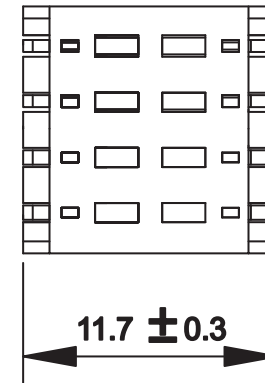
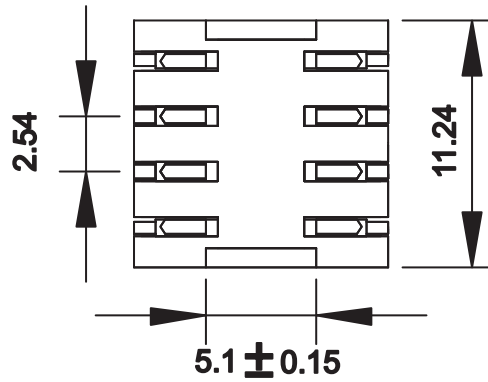
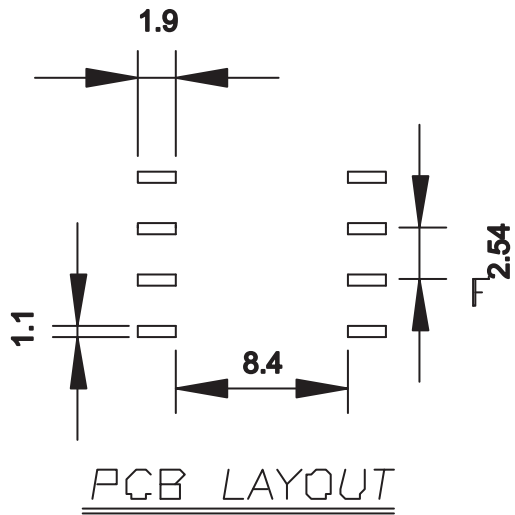
INSULATION: LCP (BLACK)


CONTACT: COPPER ALLOY

PLATING: SELECTED 30u" GOLD
OVER NICKEL 50u"

- a. Pin number:
08
- b. Pack :
R: Reel

GENERAL TOLERANCE .X ±0.30 .XX ±0.20 .XXX ±0.10	DRAW M. C. WA	PART NO SIM254046-08C-BL-X
	DESIGN M. C. WA	TITLE 簡易式 SIM CARD
	CHECKED Y. M. LU	 宏揚精密有限公司 HOJAR PRECISION CO., LTD.
	APPROVED J. F. KANG	
UNIT :mm		



GENAL TOLERANCE .X ± 0.30 .XX ± 0.20 .XXX ± 0.10	DRAW M. C. WA	PART NO SIM254046-08C-BL-X
	DESIGN M. C. WA	TITLE 簡易式 SIM CARD
	CHECKED Y. M. LU	
UNIT :mm	APPROVED J. F. KANG	 宏揚精密有限公司 HOJAR PRECISION CO., LTD.