

SPECIFICATIONS

Current Rating : 1 Amps

Insulator resistance : 5000 Megohms

Dielectric withstanding : AC 500V

Operating Temperature : -40 °C ~ +105°C

MATERIAL :

Housing : High Temperature Thermoplastic

Terminal : Brass

ORDER INFORMATION:

SHPS24 - $\frac{XX}{a} \frac{X}{b} - \frac{XX}{c} \frac{X}{d} - \frac{A}{e} / \frac{B}{f} \frac{XX}{g} - \frac{X}{h}$

a. Pin of numbers:

03 ~ 50

b. Plastic Base:

0 : H=0.8mm E=2.14mm

1 : H=1.0mm E=2.14mm(Standard)

2 : H=1.5mm E=2.14mm

3 : H=1.2mm E=2.14mm

4 : H=1.7mm E=2.50mm

5 : H=2.5mm E=2.50mm

c. Plated selection :

0 : Tin Plated

1 : Gold Flash

2 : Gold 5u"

3 : Gold 15u"

4 : Gold 30u"

d. Option Post :

0 : A Type Without Post (Standard)

1 : A Type With Post

2 : B Type Without Post

3 : B Type With Post

4 : A Type Without Post + Cap

5 : A Type With Post + Cap

6 : B Type Without Post + Cap

7 : B Type With Post + Cap

e. Pin length:

if you desire on other length, by marking
put desired length the A / B.

f. Plastic Color :

W : white

B : black

g. Plastic material selection:

L : L.C.P

N : Nylon 6T.


N9 : Nylon 9T(E).

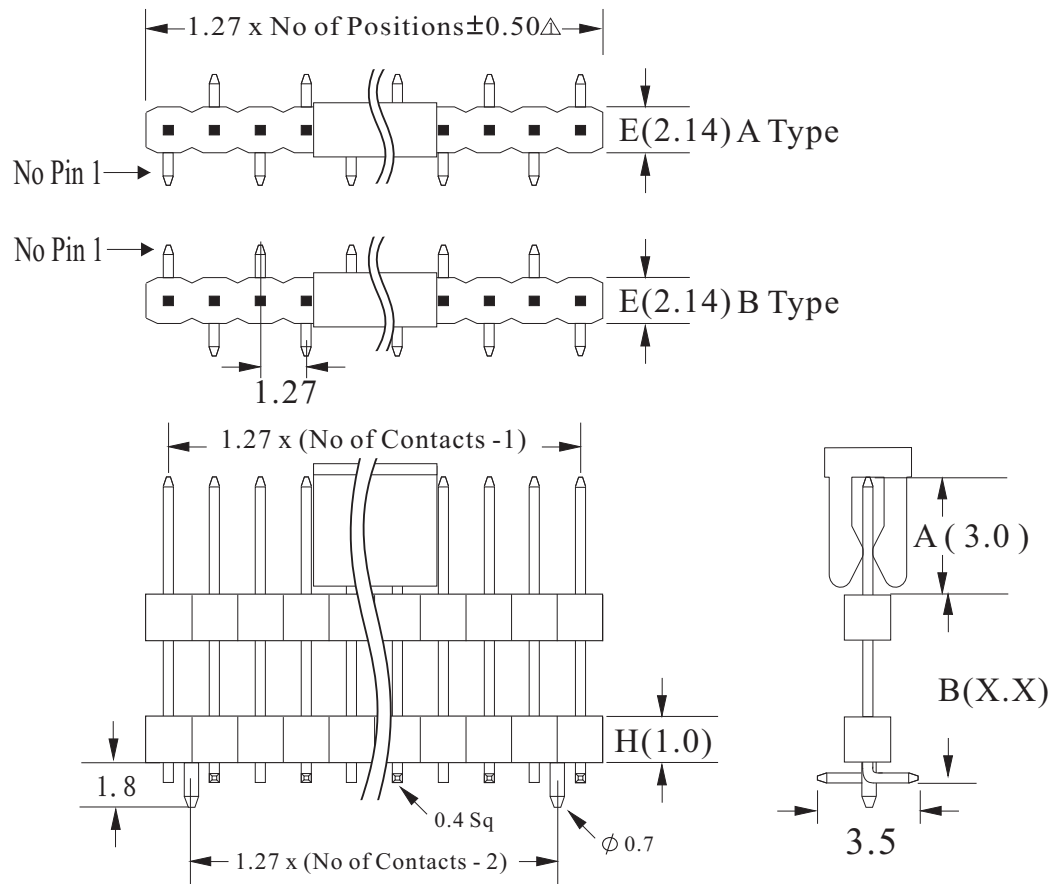
h. Pack Selection :

C : Contron Pack

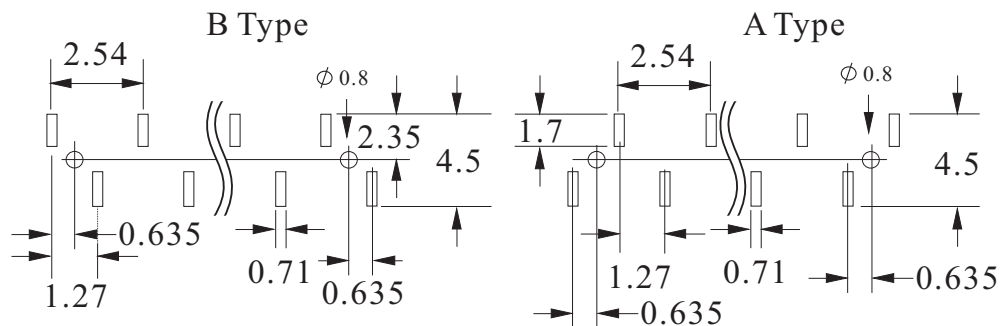
VERSION & EC DESCRIPTION


DATE	VERSION	PAGE	DESCRIPTION
2004/04/28	A	14-15	Add SHPS24-XXX Plan
2004/08/12	A	14	Add Material : N1
2004/10/01	A	14-15	Add Plastic Base : E(X.X)
2004/12/24	A	14	Revise Material : N1 => N9
2005/02/22	A	14	Add Pack : Contron
2006/01/17	B	14-15	增加公差值△

GENAL TOLERANCE	DRAW 2004/04/28	PART NO
X. ± 0.50	DATE H. D. LI	SHPS24-XXX-XX-A/B-XX-X
.X ± 0.30	DESIGN H. D. LI	TITLE
.XX ± 0.20	CHECKED Y. M. LU	Pitch:1.27mm Dual Plastic Single Row Pin Header SMD Series
.XXX ± 0.15	APPROVED J. F. KANG	
UNIT :mm		 宏揚精密有限公司 HOJAR PRECISION CO., LTD.



Recommended P.C.Board Hole Layout :



GENAL TOLERANCE X. ± 0.50 .X ± 0.30 .XX ± 0.20 .XXX ± 0.15	DRAW 2004/04/28 DATE H. D. LI	PART NO SHPS24-XXX-XX-A/B-XX-X
	DESIGN H. D. LI	TITLE Pitch:1.27mm Dual Plastic Single Row Pin Header SMD Series
	CHECKED Y. M. LU	
UNIT :mm	APPROVED J. F. KANG	 宏揚精密有限公司 HOJAR PRECISION CO., LTD.