

**SPECIFICATIONS**

Current Rating : 1 Amps

Insulator resistance : 5000 Megohms

Dielectric withstanding : AC 500V

Operating Temperature : -40°C ~ +105°C

**MATERIAL :**

Housing : Polyester, UL94V-0

Standard :P.B.T


Terminal :Copper Alloys

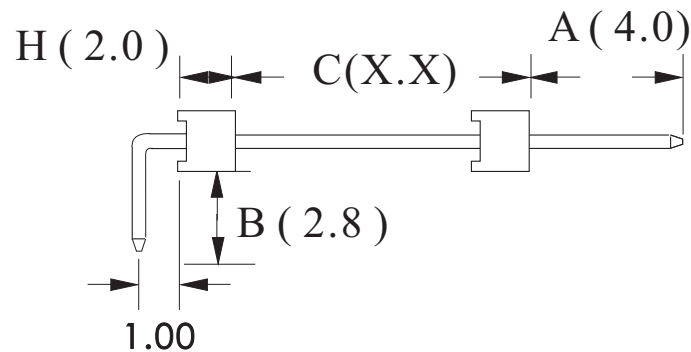
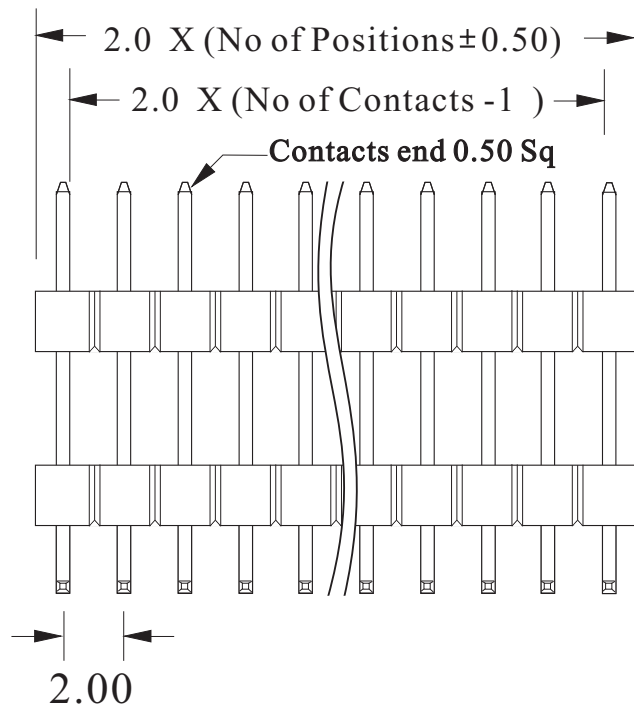
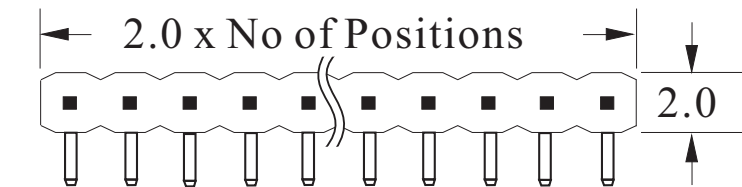
**ORDER INFORMATION:**HPSR22 -  $\frac{XX}{a} \frac{1}{b} - \frac{XX}{c} \frac{X}{d} - \frac{A}{e} / \frac{C}{f} / \frac{B}{g} - \frac{XX}{h} \frac{X}{h}$ 

- a. Pin of numbers:  
02 ~ 40
- b. Plastic Base :  
1 : H=2.0mm(standard)  
2 : H=1.5mm
- c. Plated selection :  
0 : Tin Plated  
1 : Gold Flash  
2 : Gold 5u"  
3 : Gold 15u"  
4 : Gold 30u"
- d. Post selection :  
0 : Without Post
- e. Pin length :  
if you desire on other length, by marking  
put desired length the A / C / B.  
(Standard:4.0/C/2.8)
- f. Plastic Color :  
B : black
- g. Plastic Material  
P : P.B.T (off料)  
E : P.B.T (新料)  
N : Nylon  
\*H=2.00mm      P.B.T
- h. Pack Selection :  
B : Bag Pack (standard)

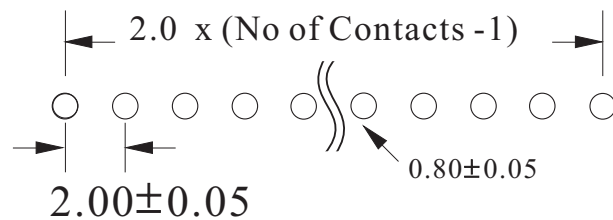
**VERSION & EC DESCRIPTION**


DATE	VERSION	PAGE	DESCRIPTION
2005/05/04	A	12-13	Add HPSR22-XXX Series Plan

GENAL TOLERANCE	DRAW DATE	2005/05/04 H. D. LI	PART NO HPSR22 - XX1 - XX - A / C / B - XX - X
X. ± 0.50 .X ± 0.38 .XX ± 0.25 .XXX ± 0.15	DESIGN	H. D. LI	TITLE 2.0 1xXX 雙層排針 A/C/B DIP 90° 黑 P.B.T
	CHECKED	Y. M. LU	
	APPROVED	J. F. KANG	
UNIT :mm			 宏揚精密有限公司 HOJAR PRECISION CO., LTD.



Recommended P.C.Board Hole Layout :



GENERAL TOLERANCE X. ± 0.50 .X ± 0.38 .XX ± 0.25 .XXX ± 0.15	DRAW DATE 2005/05/04 H. D. LI	PART NO HPSR22 - XX1 - XX - A / C / B-XX-X
	DESIGN H. D. LI	TITLE 2.0 1xXX 雙層排針 A/C/B DIP 90° 黑 P.B.T
	CHECKED Y. M. LU	
UNIT :mm	APPROVED J. F. KANG	 宏揚精密有限公司 HOJAR PRECISION CO., LTD.