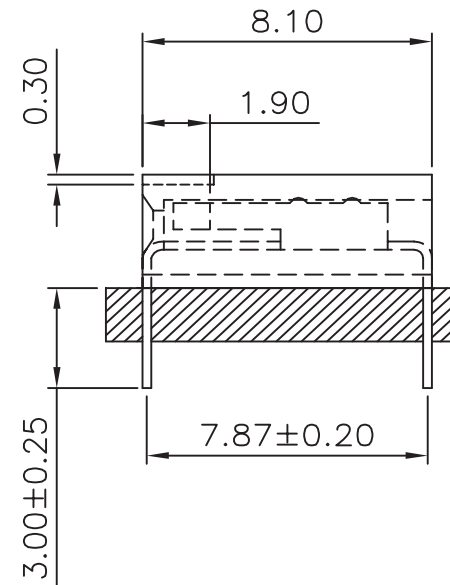
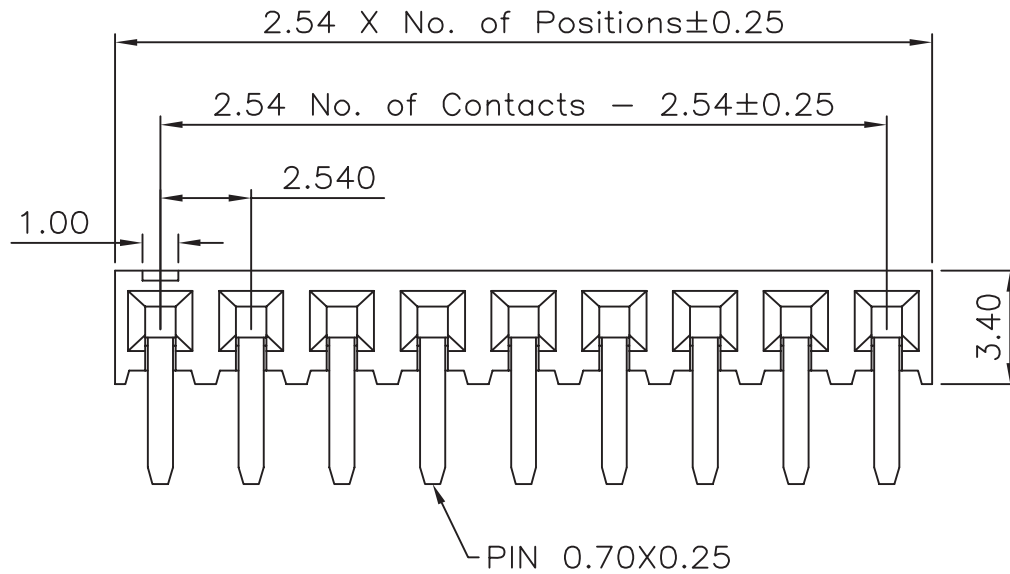



Recommended P.C.Board
Hole Layout



GENAL TOLERANCE .X ± 0.38 .XX ± 0.25 .XXX ± 0.13 ANG $\pm 5^\circ$	DRAW H. D. LI	PART NO HFS1078-XX3-1X-XX-X
	DESIGN H. D. LI	TITLE 2.54 2xXX 母座 H=3.40 DIPTYPE DUAL ROWS SIDE ENTRY
	CHECKED Y. M. LU	
	APPROVED J. F. KANG	
UNIT :mm		 宏揚精密有限公司 HOJAR PRECISION CO., LTD.