

SPECIFICATIONS

Current Rating : 1 Amps

Insulator resistance : 5000 Megohms

Dielectric withstanding : AC 500V

Operating Temperature : -40° — +105°C

MATERIAL :

Housing :

Standard :P.B.T

Terminal :

ORDER INFORMATION:

$$\text{HPDR12} - \frac{\text{XX}}{\text{a}} \frac{1}{\text{b}} - \frac{\text{XX}}{\text{c}} \frac{\text{X}}{\text{d}} - \frac{\text{A}}{\text{e}} / \frac{\text{B-XX}}{\text{f}} \frac{\text{X}}{\text{g}} - \frac{\text{X}}{\text{h}}$$

a. Pin of numbers:

04 ~ 80

b. Plastic Base :

1 : H=2.0mm(standard)

2 : H=1.5mm

c. Plated selection :

0 : Tin Plated

1 : Gold Flash

2 : Gold 5u"

3 : Gold 15u"

4 : Gold 30u"

d. Post selection :

0 : Without Post

e. Pin length :

if you desire on other length, by marking
put desired length the A / B.

(Standard:4.0/2.8)

f. Plastic Color :

B : black

g. Plastic material

P : P.B.T (off料)

E : P.B.T (新料)

N : Nylon 6T

*H=2.00mm P.B.T

h. Pack selection:


C : Contron Pack

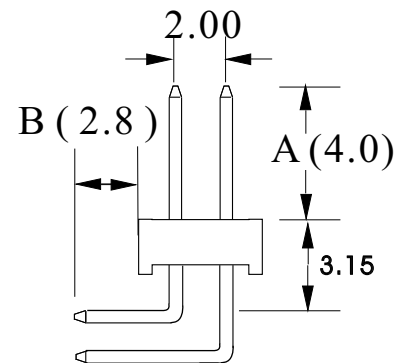
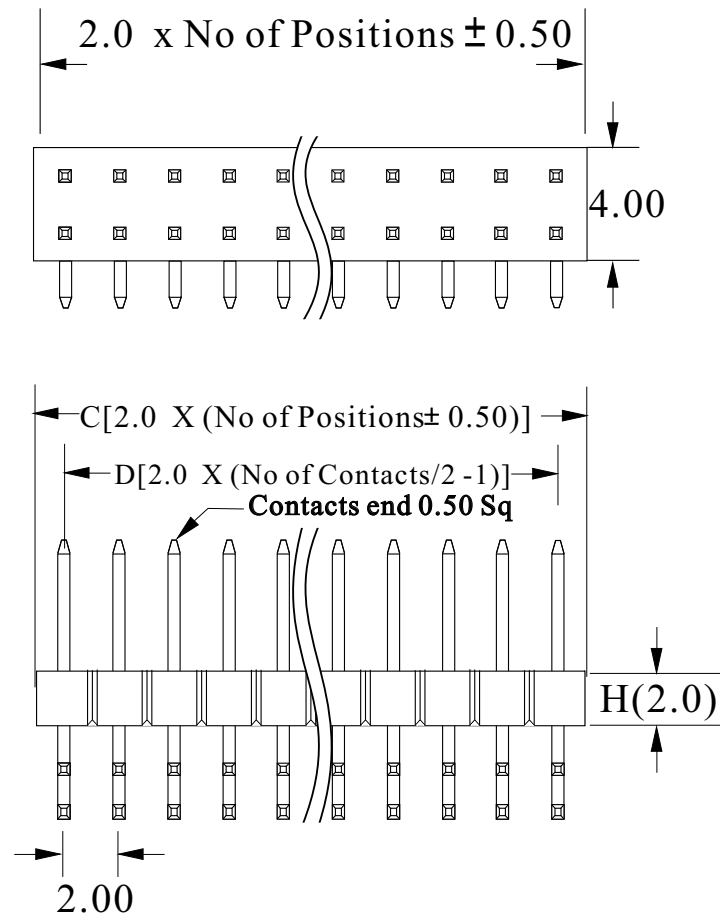
T : Tube Pack

R : Reel Pack

VERSION & EC DESCRIPTION

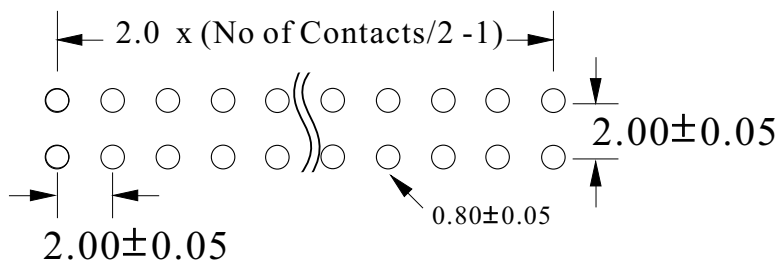
| DATE | VERSION | PAGE | DESCRIPTION |
|------------|---------|------|----------------------------------|
| 2004/03/26 | A | 4-5 | Add HPDR12 Series Plan |
| 2005/03/09 | A | 4-5 | Add Pack : Contron 、 Tube 、 Reel |
| | | | |
| | | | |
| | | | |
| | | | |
| | | | |
| | | | |

| | | | |
|-------------------|-----------|------------------------|--|
| GENERAL TOLERANCE | DRAW DATE | 2004/03/26 H. D. LI | PART NO |
| X. ± 0.50 | DESIGN | H. D. LI | HPDR12 - XX1 - XX - A / B-XX-X |
| .X ± 0.38 | CHECKED | Y. M. LU | TITLE |
| .XX ± 0.25 | APPROVED | J. F. KANG | 2.0 2xXX 排針 90度 DIP 黑 P.B.T |
| .XXX ± 0.15 | UNIT :mm | |  宏揚精密有限公司 HOJAR PRECISION CO. : LTD. |



| Poles | Dimension mm (in.) | |
|-------|--------------------|-------|
| | C | D |
| 4 | 2.00 | 4.00 |
| 6 | 4.00 | 6.00 |
| 8 | 6.00 | 8.00 |
| 10 | 8.00 | 10.00 |
| 12 | 10.00 | 12.00 |
| 14 | 12.00 | 14.00 |
| 16 | 14.00 | 16.00 |
| 18 | 16.00 | 18.00 |
| 20 | 18.00 | 20.00 |
| 22 | 20.00 | 22.00 |
| 24 | 22.00 | 24.00 |
| 26 | 24.00 | 26.00 |
| 28 | 26.00 | 28.00 |
| 30 | 28.00 | 30.00 |
| 32 | 30.00 | 32.00 |
| 36 | 32.00 | 36.00 |
| 38 | 36.00 | 38.00 |
| 40 | 38.00 | 40.00 |
| 42 | 40.00 | 42.00 |
| 44 | 42.00 | 44.00 |
| 46 | 44.00 | 46.00 |
| 48 | 46.00 | 48.00 |
| 50 | 48.00 | 50.00 |
| 52 | 50.00 | 52.00 |
| 54 | 52.00 | 54.00 |
| 56 | 54.00 | 56.00 |
| 58 | 56.00 | 58.00 |
| 60 | 58.00 | 60.00 |
| 62 | 60.00 | 62.00 |
| 64 | 62.00 | 64.00 |
| 66 | 64.00 | 66.00 |
| 68 | 66.00 | 68.00 |
| 70 | 68.00 | 70.00 |
| 72 | 70.00 | 72.00 |
| 74 | 72.00 | 74.00 |
| 76 | 74.00 | 76.00 |
| 78 | 76.00 | 78.00 |
| 80 | 78.00 | 80.00 |

Recommended P.C.Board Hole Layout :



| | | |
|-----------------|-----------|------------------------|
| GENAL TOLERANCE | DRAW DATE | 2004/03/26 H. D. LI |
| X. ± 0.50 | DESIGN | H. D. LI |
| .X ± 0.38 | CHECKED | Y. M. LU |
| .XX ± 0.25 | APPROVED | J. F. KANG |
| .XXX ± 0.15 | UNIT | mm |

| | |
|---------------------------------------|--------------------------------|
| PART NO | HPDR12 - XX1 - XX - A / B-XX-X |
| TITLE | 2.0 2xXX 90° DIP 黑 P.B.T |
| 宏揚精密有限公司 HOJAR PRECISION CO., LTD. | |