

SPECIFICATIONS

Current Rating : 3 Amps

Insulator resistance : 5000 Megohms

Dielectric withstanding : AC 500V

Operating Temperature : -40° — +105°C

MATERIAL :

Insulator : Polyester,UL94V-0

Standard :P.B.T

Contact : Brass

ORDER INFORMATION:

HPDR11 - $\frac{XX}{a} \frac{1}{b} - \frac{XX}{c} \frac{X}{d} - \frac{A}{e} / \frac{B}{f} - \frac{XX}{g} - \frac{X}{h}$

a. Pin of numbers:

02 ~ 100

b. Plastic Base :

1 : H=2.54mm(standard)

2 : H=1.5mm

3 : H=1.7mm

c. Plated selection :

0 : Tin Plated

1 : Gold Flash

2 : Gold 5u"

3 : Gold 15u"

4 : Gold 30u"

d. Post selection :

0: Without Post

e. Pin length :

if you desire on other length, by marking
put desired length the A / B.

(Standard:6.0/3.0)

f. Plastic Color :

B : black

g. Plastic material

P : P.B.T (off料)

E : P.B.T (新料)

N : Nylon 6T

*H=2.54mm P.B.T

h. Pack selection:


C : Contron Pack

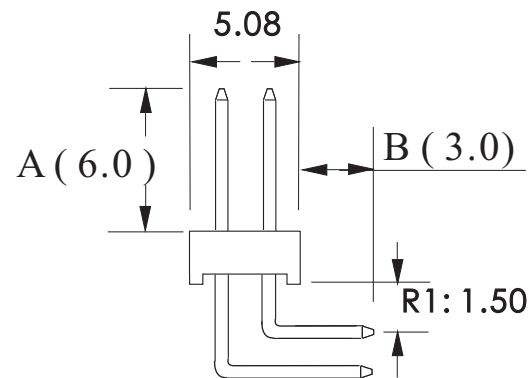
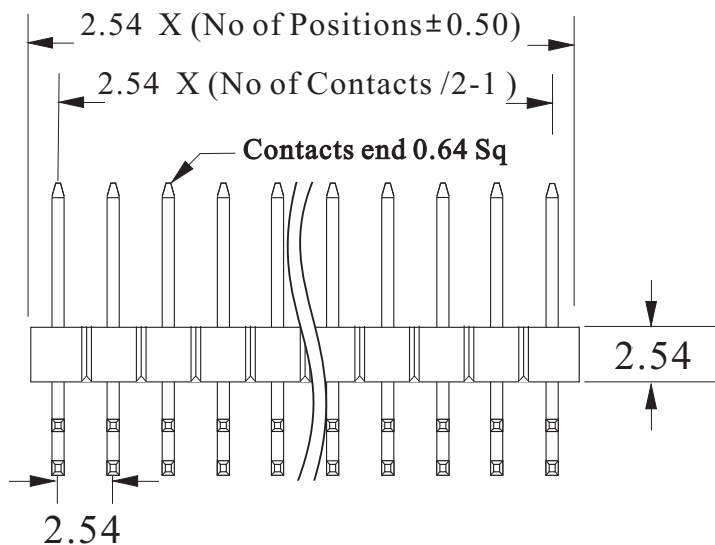
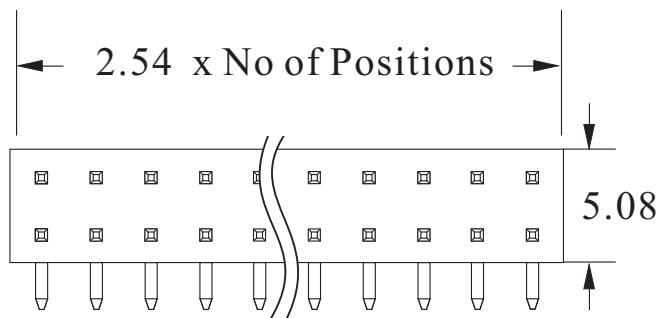
T : Tube Pack

R : Reel Pack

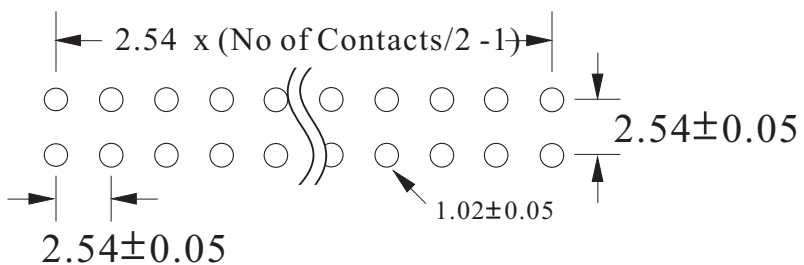
VERSION & EC DESCRIPTION


DATE	VERSION	PAGE	DESCRIPTION
2004/03/26	A	4-5	Add HPDR11 Series Plan
2005/03/09	A	4-5	Add Pack : Contron 、 Tube 、 Reel

GENERAL TOLERANCE	DRAW DATE	2004/03/26	PART NO
X. ± 0.50	DATE	H. D. LI	HPDR11 - XX1 - XX - A / B-XX-X
.X ± 0.38	DESIGN	H. D. LI	TITLE
.XX ± 0.25	CHECKED	Y. M. LU	2.54 2xXX 排針 90度 DIP 黑 P.B.T
.XXX ± 0.15	APPROVED	J. F. KANG	 宏揚精密有限公司 HOJAR PRECISION CO. : LTD.
UNIT :mm			



Recommended P.C.Board Hole Layout :



GENERAL TOLERANCE X. ± 0.50 .XX ± 0.38 .XXX ± 0.25 .XXX ± 0.15	DRAW DATE 2004/03/26 H. D. LI	PART NO HPDR11 - XX1 - XX - A / B-XX-X
	DESIGN H. D. LI	TITLE 2.54 2xXX 插針 90度 DIP 黑 P.B.T
	CHECKED Y. M. LU	
UNIT :mm	APPROVED J. F. KANG	 宏揚精密有限公司 HOJAR PRECISION CO. : LTD.