

SPECIFICATIONS

Current rating : 3.0 Amp Max.

Dielectric Withstanding Voltage : 1000V AC RMS for 60 seconds.

Contact resistance : 30 M Ohms Max.

Insulation resistance : 1000 M ohms Min. at 1000V DC.

Temperature range : - 55°C ~ + 105°C.

MATERIAL :

Housing : Thermoplastic (UL94V-0),Black


Terminal : Copper Alloy (t=0.25mm)

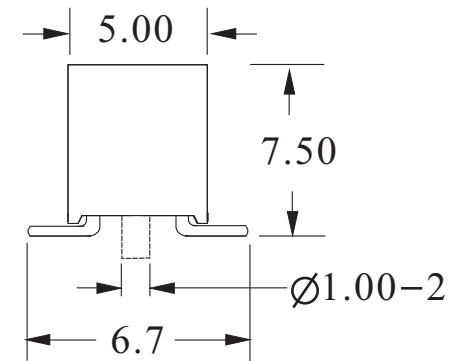
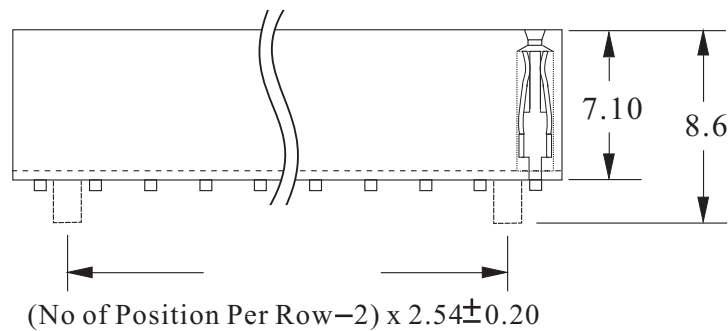
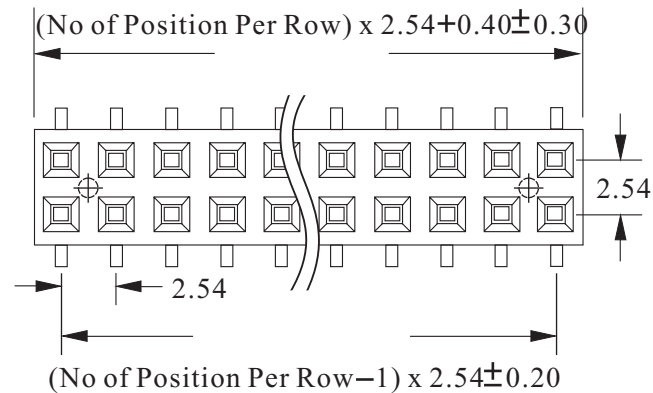
VERSION & EC DESCRIPTION			
DATE	VERSION	PAGE	DESCRIPTION
2005/05/03	A	12-13	Add SHFD1-XX1 Plan

ORDER INFORMATION:

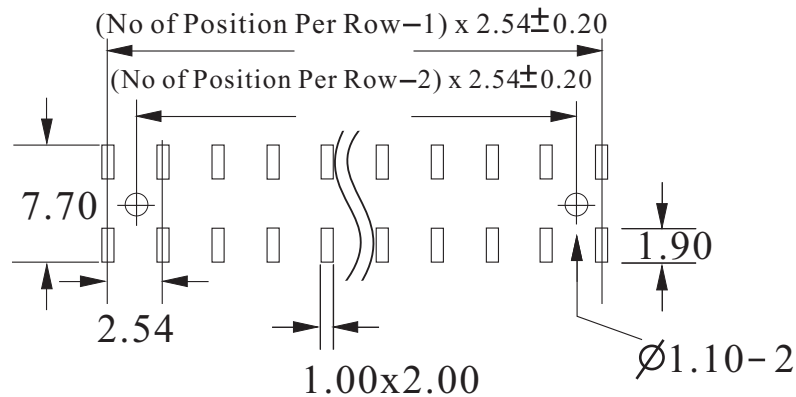
SHFD1 - XX 1 - 1 X - XX - X
 a b c d e f g


- a. Pin of numbers: 08 ~ 80
- b. Pastic Thick: 1: 7.10mm
- c. Plated selection:
 0 : Tin plated
 1 : Gold flash
 2 : 5u" Gold on Contact Area
 3 : 15u" Gold on Contact Area
 4 : 30u" Gold on Contact Area
 5 : Duplex Gold Flash on Contact Area
 6 : Duplex 5u" Gold on Contact Area
 7 : Duplex 15u" Gold on Contact Area
 8 : Duplex 30u" Gold on Contact Area
- d. 0 : Without Post
 1 : With Post
- e. Plastic Color :
 B : black color
- f. Plastic material selection:
 N : Nylon 6T
- g. Pack selection:
 C : Contron Pack D: Disk Pack
 T : Tube Pack
 R : Reel Pack.

GENAL TOLERANCE	DRAW DATE	2005/05/03 H. D. LI	PART NO
X. ±	DESIGN	H. D. LI	SHFD1-XX1-1X-XX-X
.X ± 0.30	CHECKED	Y. M. LU	TITLE
.XX ± 0.20	APPROVED	J. F. KANG	2.54 2xXX 母座 SMT黑 NYLOW
.XXX ± 0.10	UNIT :mm		 宏揚精密有限公司 HOJAR PRECISION CO. : LTD.



Recommended P.C.Board SMD Layout :



GENERAL TOLERANCE .X ± 0.30 .XX ± 0.20 .XXX ± 0.10	DRAW DATE	2005/05/03 H. D. LI	PART NO SHFD1-XX1-1X-XX-X
	DESIGN	H. D. LI	
	CHECKED	Y. M. LU	TITLE 2.54 2xXX 母座 SMT黑 NYLOW
	APPROVED	J. F. KANG	 宏揚精密有限公司 HOJAR PRECISION CO. : LTD.
UNIT :mm			