

MATERIAL

HOUSING : THERMOPLASTIC UL94V-0
CONTACT : COPPER ALLOYS

SPECIFICATION

CURRENT: 3A
OPERATING TEMPERATURE: -55°C TO +105°C
CONTACT RESISTANCE : 20 MILLIOHMS MAX
INSULATION RESISTANCE : 1000 MEGAOHMS MIN
WITHSTANDING VOLTAGE: AC 1000V RMS


VERSION & EC DESCRIPTION

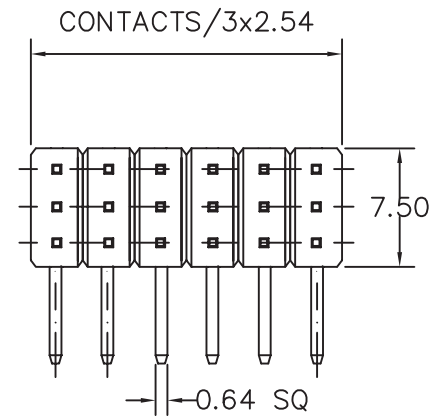
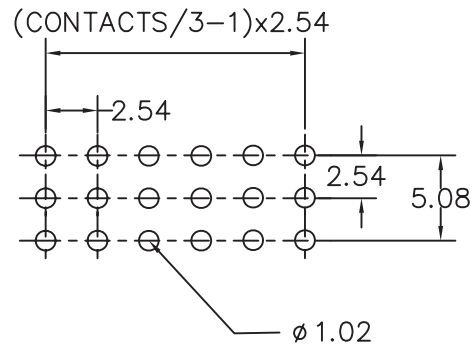
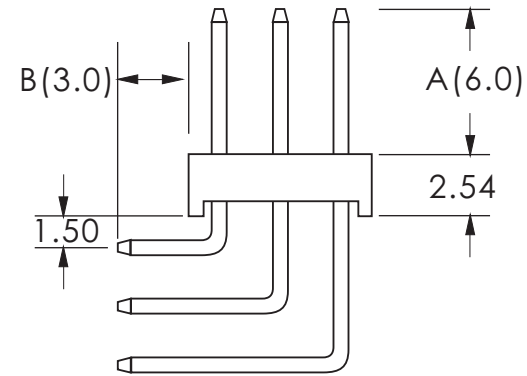
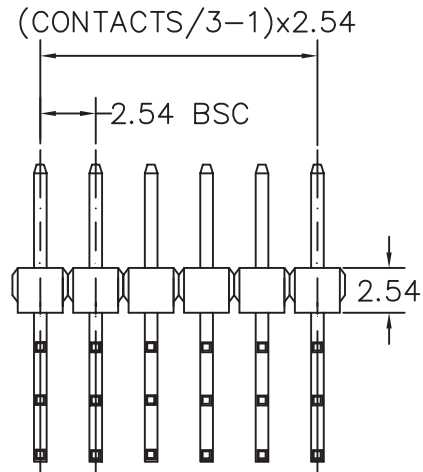
DATE	VERSION	PAGE	DESCRIPTION
2004/12/09	A	4-5	Add HPTR11-XX1 Series Plan
2005/02/22	A	4	Add Pack : Bag

ORDER INFORMATION:


HPTR11 - $\frac{XX}{a}1 - \frac{XX}{bc} - \frac{A}{d}/B - \frac{XX}{ef} - \frac{X}{g}$

- a. Pin of numbers:
06 ~ 120
- b. Plastic Base :
1 : H=2.54 mm(standard)
- c. Plated selection :
0 : Tin Plated
1 : Gold Flash
2 : Gold 5u"
3 : Gold 15u"
4 : Gold 30u"
- d. Post selection :
0 : Without Post
- e. Pin length :
if you desire on other length, by marking
put desired length the A / B.
(Standard:6.0/3.0)
- f. Plastic Color :
B : black
- g. Plastic Material
P : P.B.T
N : Nylon 6T
*H=2.54mm P.B.T
- h. Pack :
B : Bag Pack (standard)

GENAL TOLERANCE	DRAW DATE	2004/12/09	PART NO
	DATE	H. D. LI	
.X ± 0.38 .XX ± 0.25 ANG ± 5°	DESIGN	H. D. LI	TITLE
	CHECKED	Y. M. LU	2.54mm 3xXX 排針 90度 DIP 黑 PBT
UNIT :mm	APPROVED	J. F. KANG	 宏揚精密有限公司 HOJAR PRECISION CO., LTD.



RECOMMENDED P.C.B LAYOUT

GENAL TOLERANCE	DRAW DATE	2004/12/09 H. D. LI	PART NO
	DESIGN	H. D. LI	HPTR11 - XX1 - XX - A/B - XX - X
.X ± 0.38 .XX ± 0.25 ANG ± 5°	CHECKED	Y. M. LU	TITLE
	APPROVED	J. F. KANG	2.54 mm 3xXX 排針 90度 DIP 黑 PBT
UNIT :mm			 宏揚精密有限公司 HOJAR PRECISION CO., LTD.