

1. Specifications

Current Rating: 2Amp

Insulation Resistance: 1000MΩ Min.

Dielectric Withstanding: 500V AC

Contact Resistance: 20mΩ Max.

Operating Temperature: -40°C to +105°C

2. Materials

Contact Material: Phosphor Bronze

Housing Material: NY6T UL94V-0, Color: Black.

ORDER INFORMATION:

HFT2 - XXX 1 - X0 - X - XX - X
 a b c d e f g

a. Pin of numbers: 006~120 b. Pastic Thick : 1: 6.35mm


c. Plated selection:
 0 : Tin plated
 1 : Gold flash
 2 : 3u" Gold on Contact Area
 3 : 5u" Gold on Contact Area
 4 : 10u" Gold on Contact Area
 5 : 15u" Gold on Contact Area
 6 : 20u" Gold on Contact Area
 7 : 30u" Gold on Contact Area

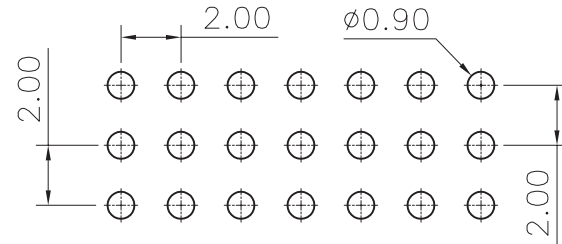
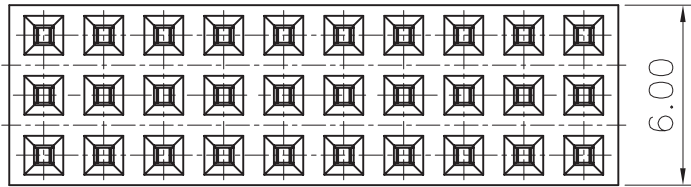
d. Solder Pin length :
 1 : A=2.3mm

e. Plastic Color :
 B : black color

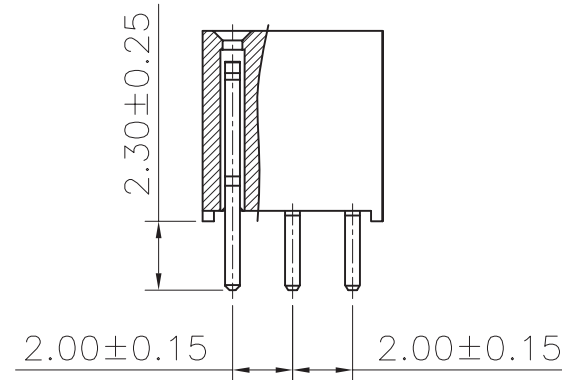
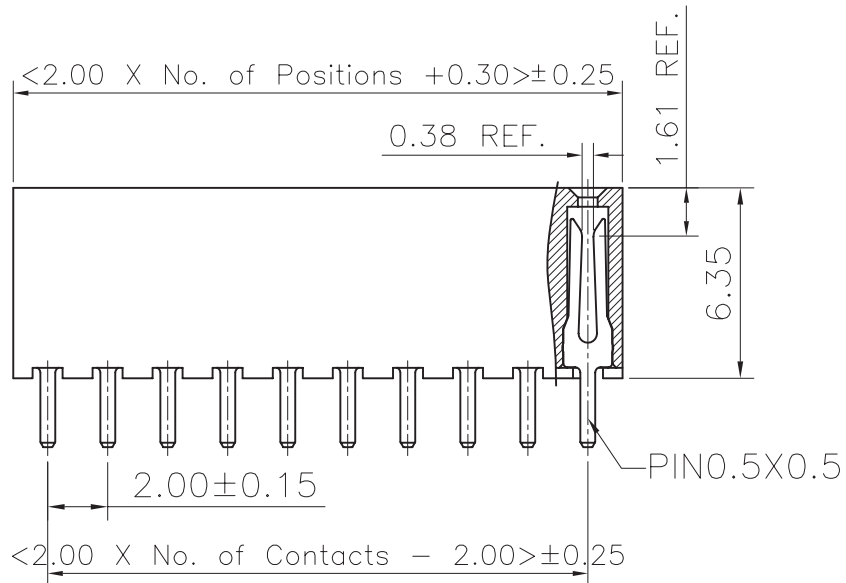
f. Plastic material selection:
 P : P.B.T (off料)
 E : P.B.T (新料)
 N: Nylon6T

g. Pack selection:
 C : Contron Pack D : Disk Pack
 T : Tube Pack
 R : Reel Pack

| | | | |
|---|----------|------------|---|
| GENAL TOLERANCE X. ± .X ± 0.30 .XX ± 0.20 .XXX ± 0.10 | DRAW | H. D. LI | PART NO |
| | DESIGN | H. D. LI | HFT2-XXX1-X0-X-XX-X |
| | CHECKED | Y. M. LU | TITLE |
| | APPROVED | J. F. KANG | 2.00 母座 H=6.35 Triple Rows DIP TYPE |
| UNIT :mm | | |  宏揚精密有限公司 HOJAR PRECISION CO., LTD. |



Recommended P.C.Board
Hole Layout



| | | |
|---|------------------------|---|
| GENERAL TOLERANCE X. ± .XX ± 0.30 .XXX ± 0.20 .XXX ± 0.10 | DRAW H. D. LI | PART NO HFT2-XXX1-X0-X-XX-X |
| | DESIGN H. D. LI | TITLE 2.00 母座 H=6.35 Triple Rows DIP TYPE |
| | CHECKED Y. M. LU | |
| | APPROVED J. F. KANG | |
| UNIT :mm | |  宏揚精密有限公司 HOJAR PRECISION CO., LTD. |