

## SPECIFICATIONS

Current Rating : 1 Amps

Insulator resistance : 5000 Megohms

Dielectric withstanding : AC 500V

Operating Temperature : -40° — +105°C

Housing : High Temperature Thermoplastic

Terminal : Brass 65/35(C2680)

## ORDER INFORMATION:

SHBH4 -  $\frac{XX}{a} \frac{X}{b} - \frac{X}{c} \frac{X}{d} - \frac{XX}{e} \frac{X}{f} - \frac{X}{g}$ 

a. Pin of numbers:

10 ~ 100

b. Height Type:

1 : B=3.8mm( H=3.6mm)

2 : B=4.8mm( H=4.6mm)

c. 0 : Tin Plated

1 : Gold Flash

2 : Gold 5u"

3 : Gold 15u"

4 : Gold 30u"

d. Option Post:

0 : None Post

1 : With Post

2 : None Post + Cap

3 : With Post + Cap

e. Plastic Color :

B : black W : white

f. Plastic Material

L:L.C.P

N:Nylon 6T


N9:Nylon 9T(E)

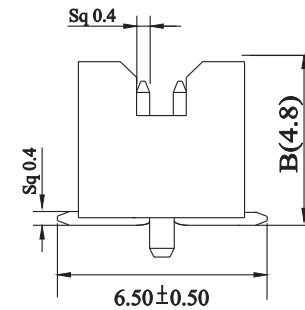
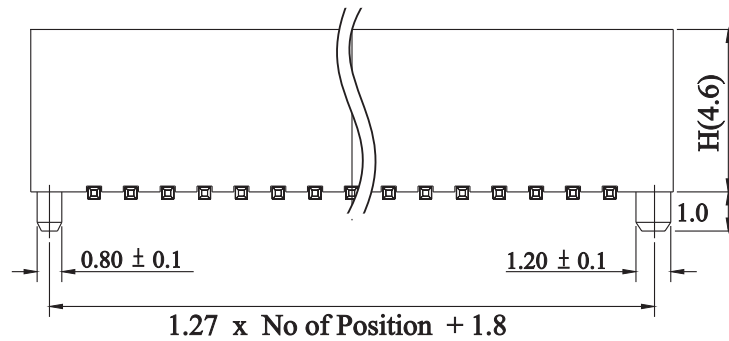
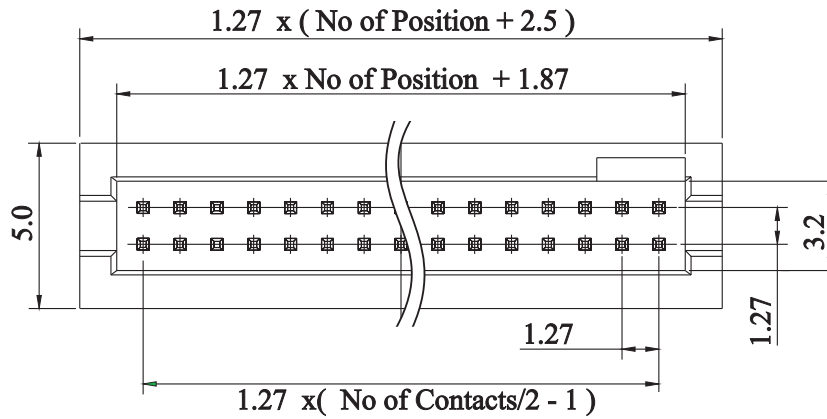
g. Pack Selection :

D : Disk Pack (standard)

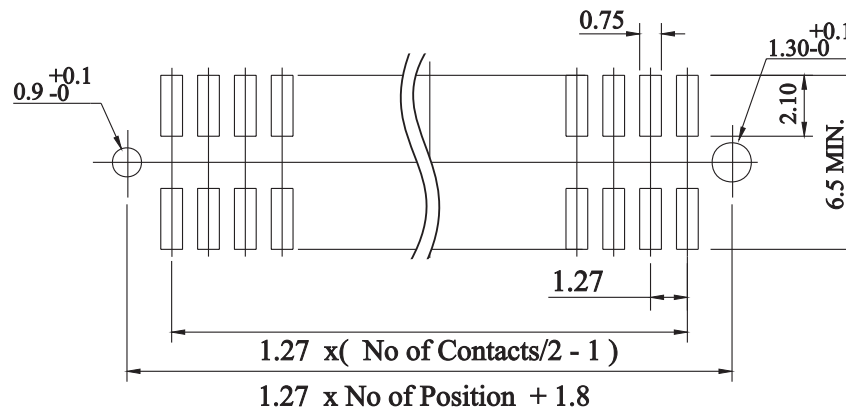
R : Reel Pack


VERSION & EC DESCRIPTION			
DATE	VERSION	PAGE	DESCRIPTION
2003/09/01	A	6-7	Add SHBH4 Series Plan
2004/03/26	B	6-7	Revise SHBH4 Series Plan
2004/08/12	B	6	Add Material : N1
2004/12/24	B	6	Revise Material : N1 => N9
2005/02/22	B	6	Add Pack : Disk & Reel
2005/05/16	B	6	Add Option Post : 2、3

GENERAL TOLERANCE X. ± 0.50 .X ± 0.38 .XX ± 0.25 .XXX ± 0.15	DRAW DATE	2003/09/01 H. D. LI	PART NO	SHBH4-XXX-XX-XX-X
	DESIGN	H. D. LI	TITLE	Pitch:1.27x1.27mm Dual Row Box Header SMD Low Profile Series
	CHECKED	Y. M. LU		
	APPROVED	J. F. KANG		
UNIT :mm				 宏揚精密有限公司 HOJAR PRECISION CO. : LTD.



Recommended P.C.Board Hole Layout :



GENAL TOLERANCE X. ± 0.50 .X ± 0.38 .XX ± 0.25 .XXX ± 0.15	DRAW 2003/09/01 DATE H. D. LI	PART NO SHBH4-XXX-XX-XX-X
	DESIGN H. D. LI	TITLE Pitch:1.27x1.27mm Dual Row Box Header SMD Low Profile Series
	CHECKED Y. M. LU	
	APPROVED J. F. KANG	
UNIT :mm		 宏揚精密有限公司 HOJAR PRECISION CO. : LTD.