

ORDER INFORMATION:

SEHBH2 - $\frac{XX}{a}$ 1 - $\frac{X}{b}$ $\frac{0}{c}$ - $\frac{XX}{d}$ - $\frac{X}{e}$ - $\frac{X}{f}$

Electrical Characteristics

1. Current Rating: 1.0 Amp. Max..
2. Dielectric Withstand Voltage:
800V AC RMS for 60Seconds.
3. Insulation Resistance:
1000M Ohms Min. at 500V DC.

Mechanical Characteristics

1. Operating Temperature: -55°C ~ +105°C

Material and Finish

1. Housing: Thermoplastic (UL94V-0), Black.
2. Terminal: Sq 0.50mm, Gold Plating

a. Pin of numbers:

10、12、14、16、20、22、24
26、30、34、40、44、50、60

b. 0 : Tin Plated

1 : Gold Flash
2 : Gold 5u"
3 : Gold 15u"
4 : Gold 30u"

c. 0:without post

d. Plastic Color :


W : white
B : black

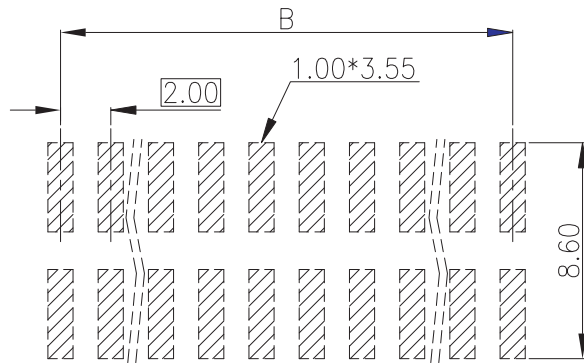
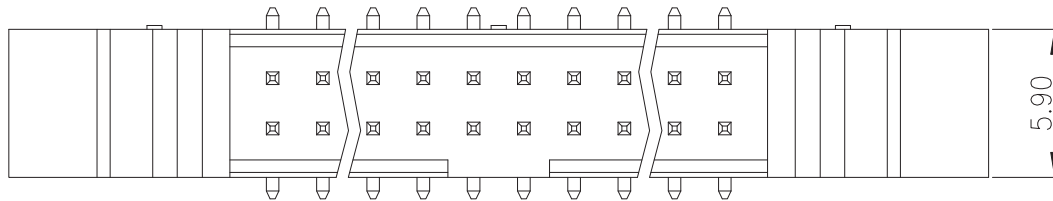
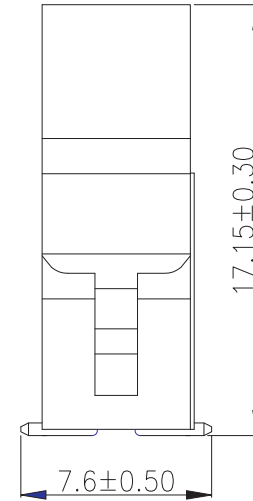
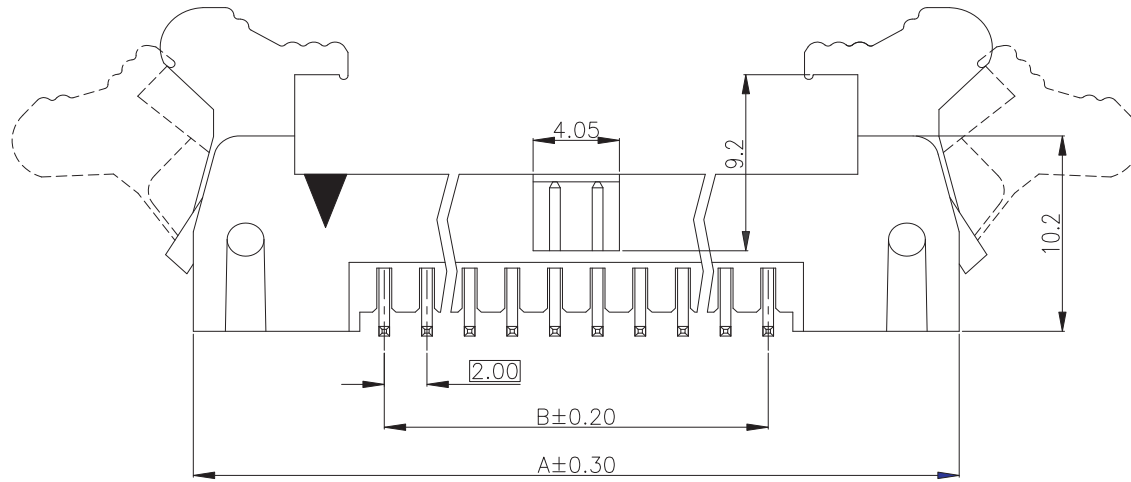
e. Plastic Material

N : Nylon 9T

f. Pack Selection :


D : Disk Pack (standard)
R : Reel Pack

GENAL TOLERANCE	DATE	PART NO
	H. D. LI	SEHBH2-XX1-X0-XX-X
.X ± 0.30 .XX ± 0.20 .XXX ± 0.10	DESIGN	TITLE
	H. D. LI	2.00mm Box Header Ejector PCB Surface Mount Type
	CHECKED	
	Y. M. LU	
	APPROVED	
UNIT :mm	J. F. KANG	 宏揚精密有限公司 HOJAR PRECISION CO., LTD.



PCB Layout
(Top View)

Dimensions		
Pin	A	B
10	25.90	8.00
12	27.90	10.00
14	29.90	12.00
16	31.90	14.00
20	35.90	18.00
22	37.90	20.00
24	39.90	22.00
26	41.90	24.00
30	45.90	28.00
32	47.90	30.00
34	49.90	32.00
40	55.90	38.00
44	59.90	42.00
50	65.90	48.00
60	75.90	58.00

GENAL TOLERANCE	DATE	H. D. LI	PART NO
	DESIGN	H. D. LI	SEHBH2-XX1-X0-XX-X
.X ± 0.30 .XX ± 0.20 .XXX ± 0.10	CHECKED	Y. M. LU	TITLE
	APPROVED	J. F. KANG	2.00mm Box Header Ejector PCB Surface Mount Type
UNIT :mm			 宏揚精密有限公司 HOJAR PRECISION CO., LTD.