

SPECIFICATIONS

Current Rating : 3 Amps

Insulator resistance : 5000 Megohms

Dielectric withstanding : AC 1000V

Operating Temperature : -55° — +105°C

MATERIAL :

Housing :

Standard :P.B.T

Terminal :

ORDER INFORMATION:

$$\text{HBHR1} - \frac{\text{XX}}{\text{a}} \frac{1}{\text{b}} - \frac{\text{X0}}{\text{c}} - \frac{\text{X}}{\text{d}} - \frac{\text{X}}{\text{e}} \frac{\text{X}}{\text{f}} - \frac{\text{X}}{\text{g}}$$

a. Pin of numbers:

10 ~ 100

b. Plastic Height:

1 : A=9.1mm

c. 0 : Tin Plated

1 : Gold Flash

2 : Gold 5u"

3 : Gold 15u"

4 : Gold 30u"

d. Solder Pin Length:

if you desire on other length, by marking
put desired length the B.

B=3.2mm(standard)

e. Plastic Color :

B : black

f. Plastic Material

P : P.B.T (off料)

E : P.B.T (新料)

N : Nylon


g. Pack Selection :

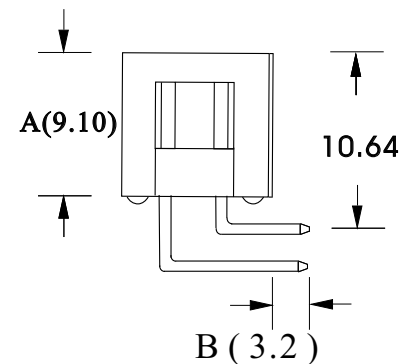
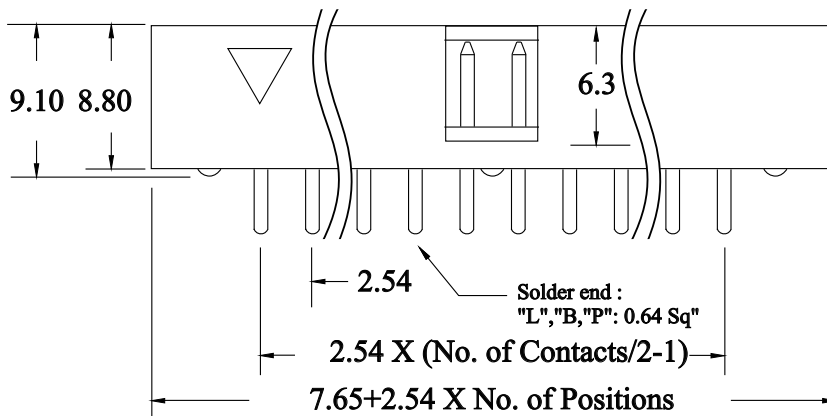
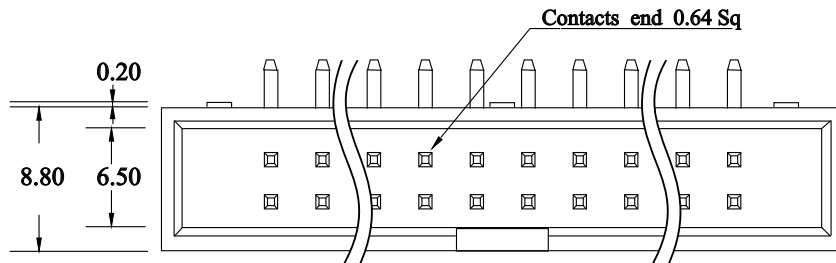
D : Disk Pack (standard)

R : Reel Pack

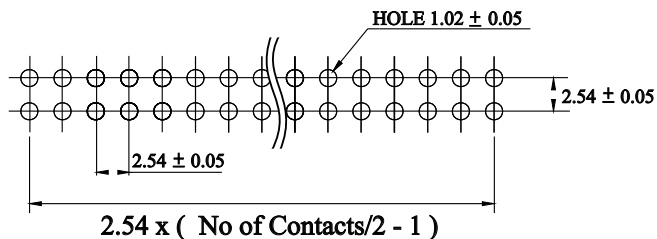
VERSION & EC DESCRIPTION


DATE	VERSION	PAGE	DESCRIPTION
2004/03/26	A	4-5	Add HBHR1-XX1 Plan
2005/02/21	A	4	Add Pack : Disk & Reel

GENERAL TOLERANCE	DRAW DATE	2004/03/26 H. D. LI	PART NO
X. ± 0.50	DESIGN	H. D. LI	HBHR1 - XX 1 - X0 - X - XX - X
.X ± 0.38	CHECKED	Y. M. LU	TITLE
.XX ± 0.25	APPROVED	J. F. KANG	2.54 2xXX 簡牛 H=9.1 90度 無注 黑 P.B.T
.XXX ± 0.15	UNIT :mm		 宏揚精密有限公司 HOJAR PRECISION CO. : LTD.



Recommended P.C.Board Hole Layout :



GENERAL TOLERANCE X. ± 0.50 .XX ± 0.38 .XX ± 0.25 .XXX ± 0.15	DRAW DATE 2004/03/26 H. D. LI	PART NO HBHR1 - XX 1 - X0 - X - XX - X
	DESIGN H. D. LI	TITLE 2.54 2xXX 簡半H=9.1 90度 無柱 黑 P.B.T
	CHECKED Y. M. LU	
UNIT :mm	APPROVED J. F. KANG	 宏揚精密有限公司 HOJAR PRECISION CO. : LTD.