


ORDER INFORMATION:

SFPCR 05 - $\frac{XX}{a}$ U - L - $\frac{X}{b}$ - $\frac{X}{c}$

Notes:

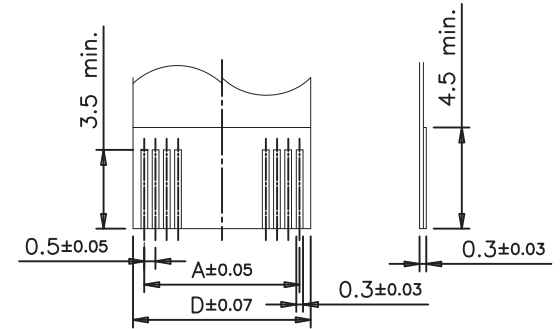
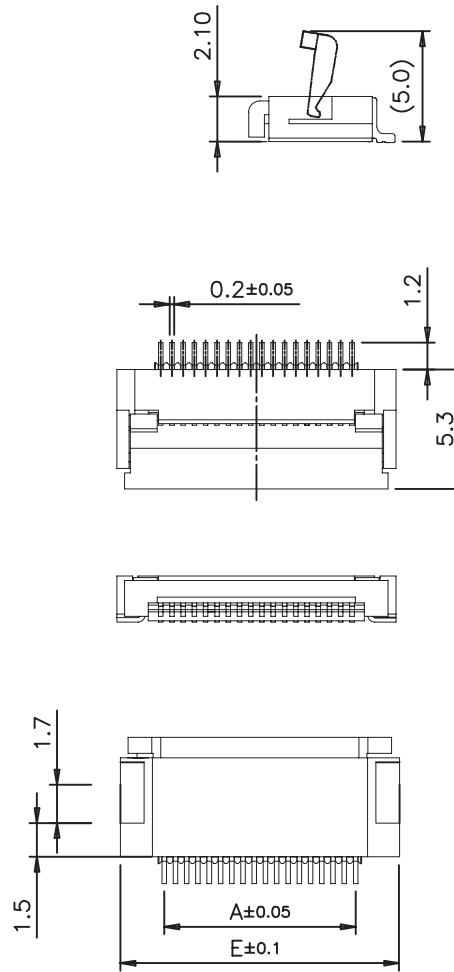
- Housing : Thermalplastic, UL 94V-0
- Cover : Thermalplastic, UL 94V-0
- Contact : Phosphor bronze
 - Tin plated, Nickel over all
- Fitting nail : Copper alloy
 - Tin plated, Nickel over all

- a. NO . Of Contacts
04~62
- b. F : For Former Pb
L : Low Pb
- c. Pack selection:
T : Tube Pack
R : Reel Pack

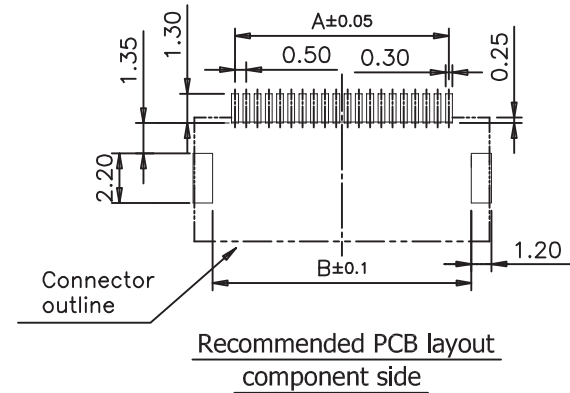
GENAL TOLERANCE X. ±0.4 .X ±0.20 .XX ±0.10	DRAW DATE 2007/07/20 H. D. LI	PART NO SFPCR05-XXU-L-X-X
	DESIGN H. D. LI	TITLE FFC/FPC Connector 0.5mm Press Type H:2.0
	CHECKED Y. M. LU	
UNIT :mm	APPROVED J. F. KANG	 宏揚精密有限公司 HOJAR PRECISION CO., LTD.

Pin	Dimension			
	A	B	D	E
4	1.50	3.50	2.50	5.40
5	2.00	4.00	3.00	5.90
6	2.05	4.50	3.50	6.40
7	3.00	5.00	4.00	6.90
8	3.05	5.50	4.50	7.40
9	4.00	6.00	5.00	7.90
10	4.50	6.50	5.50	8.40
11	5.00	7.00	6.00	8.90
12	5.50	7.50	6.50	9.40
13	6.00	8.00	7.00	9.90
14	6.50	8.50	7.50	10.40
15	7.00	9.00	8.00	10.90
16	7.50	9.50	8.50	11.40
17	8.00	10.00	9.00	11.90
18	8.50	10.50	9.50	12.40
19	9.00	11.00	10.00	12.90
20	9.50	11.50	10.50	13.40
21	10.00	12.00	11.00	13.90
22	10.50	12.50	11.50	14.40
23	11.00	13.00	12.00	14.90
24	11.50	13.50	12.50	15.40
25	12.00	14.00	13.00	15.90
26	12.50	14.50	13.50	16.40
27	13.00	15.00	14.00	16.90
28	13.50	15.50	14.50	17.40
29	14.00	16.00	15.00	17.90
30	14.50	16.50	15.50	18.40
31	15.00	17.00	16.00	18.90
32	15.50	17.50	16.50	19.40
33	16.00	18.00	17.00	19.90
34	16.50	18.50	17.50	20.40
35	17.00	19.00	18.00	20.90

Pin	Dimension			
	A	B	D	E
36	17.50	19.50	18.50	21.40
37	18.00	20.00	19.00	21.90
38	18.50	20.50	19.50	22.40
39	19.00	21.00	20.00	22.90
40	19.50	21.50	20.50	23.40
41	20.00	22.00	21.00	23.90
42	20.50	22.50	21.50	24.40
43	21.00	23.00	22.00	24.90
44	21.50	23.50	22.50	25.40
45	22.00	24.00	23.00	25.90
46	22.50	24.50	23.50	26.40
47	23.00	25.00	24.00	26.90
48	23.50	25.50	24.50	27.40
49	24.00	26.00	25.00	27.90
50	24.50	26.50	25.50	28.40
51	25.00	27.00	26.00	28.90
52	25.50	27.50	26.50	29.40
53	26.00	28.00	27.00	29.90
54	26.50	28.50	27.50	30.40
55	27.00	29.00	28.00	30.90
56	27.50	29.50	28.50	31.40
57	28.00	30.00	29.00	31.90
58	28.50	30.50	29.50	32.40
59	29.00	31.00	30.00	32.90
60	29.50	31.50	30.50	33.40
60A	30.50	32.50	31.50	34.40
61	30.00	32.00	31.00	33.90
62	30.50	32.50	31.50	34.40



Applicable FPC/FFC
recommended dimension



Recommended PCB layout
component side

GENERAL TOLERANCE X. ±0.4 .X ±0.20 .XX ±0.10	DRAW DATE 2007/07/20 H. D. LI	PART NO SFPCR05-XXU-L-X-X
	DESIGN H. D. LI	TITLE FFC/FPC Connector 0.5mm Press Type H:2.0
	CHECKED Y. M. LU	
UNIT :mm	APPROVED J. F. KANG	宏揚精密有限公司 HOJAR PRECISION CO., LTD.