

VERSION

A

ORDER INFORMATION:

SFPCRB05 - $\frac{XX}{a} 2 - L - \frac{X}{b}$

NOTES:

1. MATERIAL:

HOUSING: HIGHT-TEMP PLASTIC,UL 94-V0,COLOR:NATURE;
COVER: HIGHT-TEMP PLASTIC,UL 94-V0,COLOR:BLACK;
CONTACT: COPPER ALLOY;
LEG: COPPER ALLOY;

2. PLATING:


CONTACT: GOLD OR TIN PLATED ON NICKEL OVERALL.
LEG: TIN PLATED ON NICKEL OVERALL.

3. RATING:

CURRENT RATING: 0.5A AC/DC
VOLTAGE RATING: 25V AC/DC
TEMPERATURE RANGE: -25°C~+85°C;

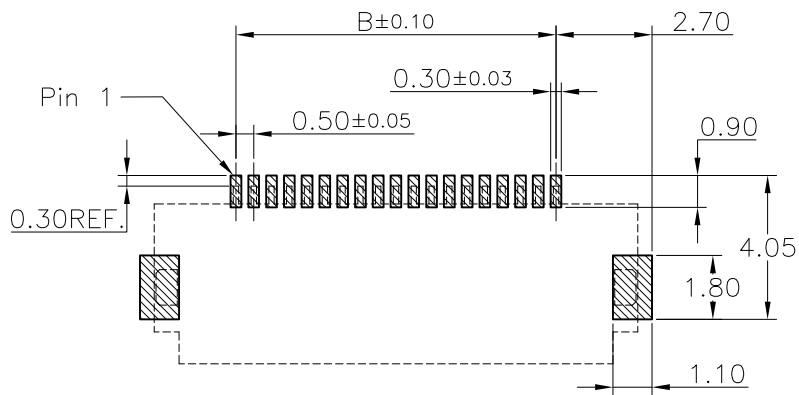
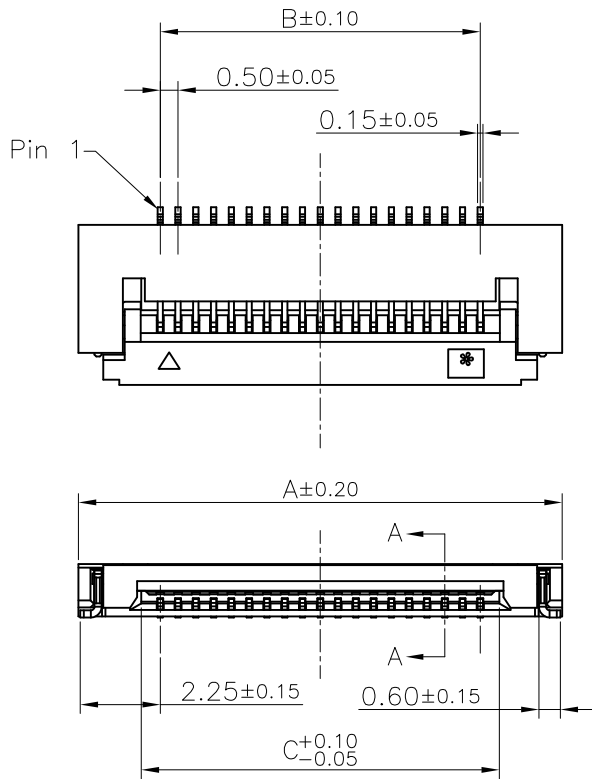
a. NO . Of Contacts
04~60

b. Pack selection:
T : Tube Pack
R : Reel Pack

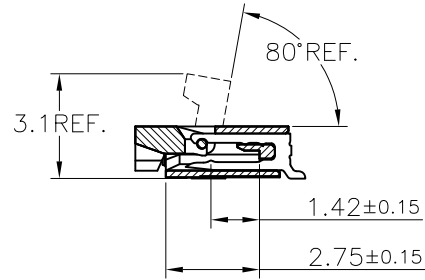
GENAL TOLERANCE X. ± .X ± .XX ± .XXX ±	DRAW DATE 2004/08/11 H. D. LI	PART NO SFPCRB05-XX2-L-X
	DESIGN H. D. LI	TITLE FPC Connector0.5mm Press c Type H:1.5
	CHECKED Y. M. LU	
UNIT :mm	APPROVED J. F. KANG	 宏揚精密有限公司 HOJAR PRECISION CO., LTD.

VERSION

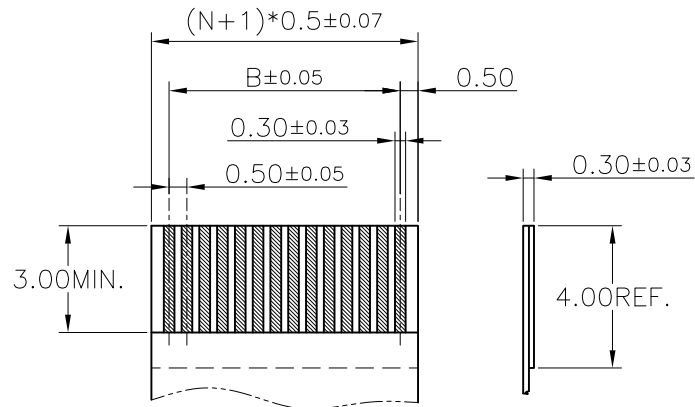
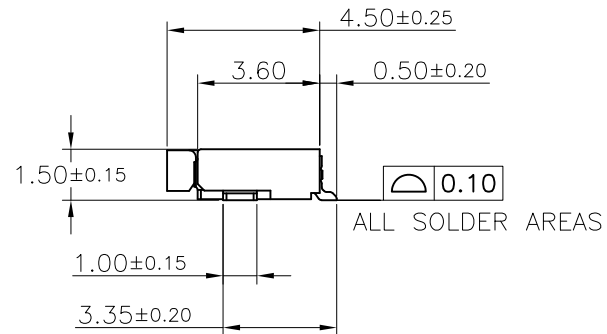
A



RECOMMEND PCB LAYOUT
TOLERANCE: ±0.05



SECTION A-A



APPLICABLE FFC
TOLERANCE: ±0.05

PIN NO.	DIM. A	DIM. B	DIM. C
04	6.10	1.50	2.57
05	6.60	2.00	3.07
06	7.10	2.50	3.57
07	7.60	3.00	4.07
08	8.10	3.50	4.57
09	8.60	4.00	5.07
10	9.10	4.50	5.57
11	9.60	5.00	6.07
12	10.10	5.50	6.57
13	10.60	6.00	7.07
14	11.10	6.50	7.57
15	11.60	7.00	8.07
16	12.10	7.50	8.57
17	12.60	8.00	9.07
18	13.10	8.50	9.57
19	13.60	9.00	10.07
20	14.10	9.50	10.57
21	14.60	10.00	11.07
22	15.10	10.50	11.57
23	15.60	11.00	12.07
24	16.10	11.50	12.57
25	16.60	12.00	13.07
26	17.10	12.50	13.57
27	17.60	13.00	14.07
28	18.10	13.50	14.57
29	18.60	14.00	15.07
30	19.10	14.50	15.57
31	19.60	15.00	16.07
32	20.10	15.50	16.57
33	20.60	16.00	17.07
34	21.10	16.50	17.57
35	21.60	17.00	18.07
36	22.10	17.50	18.57
37	22.60	18.00	19.07
38	23.10	18.50	19.57
39	23.60	19.00	20.07
40	24.10	19.50	20.57
41	24.60	20.00	21.07
42	25.10	20.50	21.57
43	25.60	21.00	22.07
44	26.10	21.50	22.57
45	26.60	22.00	23.07
46	27.10	22.50	23.57
47	27.60	23.00	24.07
48	28.10	23.50	24.57
49	28.60	24.00	25.07
50	29.10	24.50	25.57
51	29.60	25.00	26.07
52	30.10	25.50	26.57
53	30.60	26.00	27.07
54	31.10	26.50	27.57
55	31.60	27.00	28.07
56	32.10	27.50	28.57
57	32.60	28.00	29.07
58	33.10	28.50	29.57
59	33.60	29.00	30.07
60	34.10	29.50	30.57

GENAL TOLERANCE	DRAW DATE	2004/08/11 H. D. LI	PART NO
X. ±	DESIGN	H. D. LI	SFPCRB05-XX2-L-X
.X ±	CHECKED	Y. M. LU	TITLE
.XX ±	APPROVED	J. F. KANG	FPC Connector 0.5mm Press c Type H:1.5
.XXX ±	UNIT :mm		宏揚精密有限公司 HOJAR PRECISION CO., LTD.