


SPECIFICATIONS

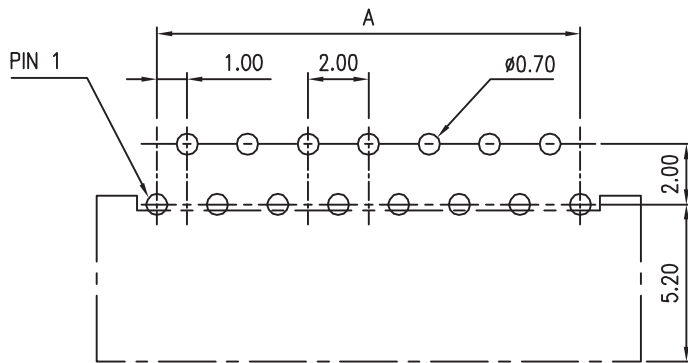
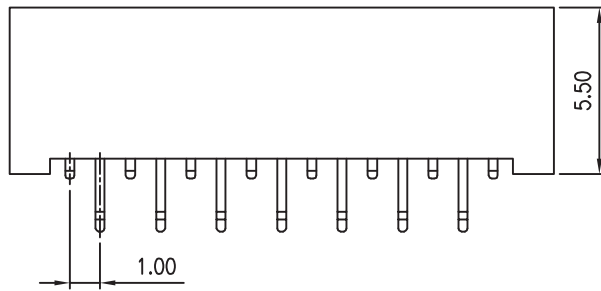
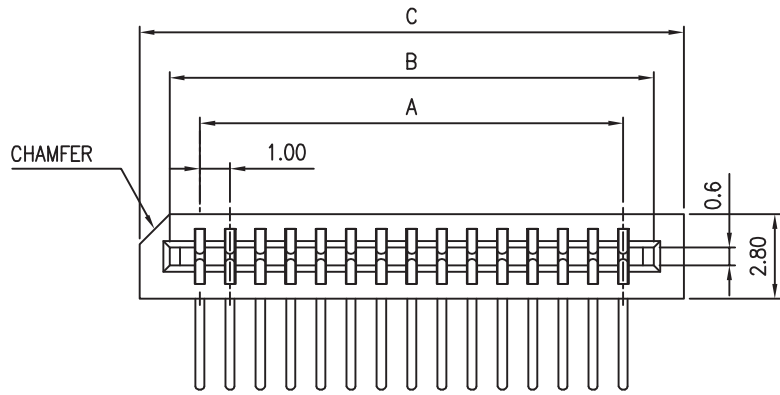
1. MATERIAL :
 INSULATOR : GLASS-REINFORCED THERMOPLASTIC.
 CONTACT : COPPER ALLOY.
 PLATING : ALL TIN,LEAD FREE.
2. ELECTRICAL :
 CURRENT RATING : 0.5 AMP
 DIELECTRIC WITHSTANDING VOLATAGE : 500 VAC MIN.
 INSULATION RESISTANCE : 1000 MEGAOHMS MIN.
 CONTACT RESISTANCE : 30 MILLOHMS MAX.
3. ENVIRONMENTAL :
 TEMPERATURE RANGE : -55°C TO +85°C

ORDER INFORMATION:

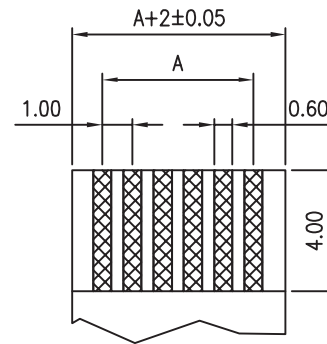
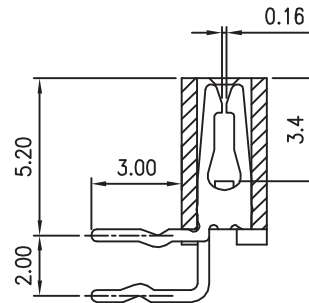
FPC10- $\frac{XX}{a}$ 4 - DH - D - $\frac{T}{b}$

- a. Pin of numbers:
04 ~ 30
- b. Pack:
T : Tube

GENERAL TOLERANCE	VER DRE. 2006/05/25	PART NO
X. ± 0.40	H. D. LI	FPC10 - XX 4 - DH - D - T
.X ± 0.30	DESIGN	TITLE
.XX ± 0.20	H. D. LI	1.0mm FPC SMD SIDE ENTRY DUAL CONTACT NON ZIF
.XXX ± 0.10	CHECKED	
	Y. M. LU	
	APPROVED	
UNIT :mm	J. F. KANG	 宏揚精密有限公司 HOJAR PRECISION CO., LTD.




TOLERANCES: ± 0.05
 RECOMMENDED PCB LAYOUT



FPC/FFC T=0.30±0.05

Circuits	Dimension			Circuits	Dimension		
	A	B	C		A	B	C
4	3.00	5.1	7	22	21.00	23.1	25
5	4.00	6.1	8	23	22.00	24.1	26
6	5.00	7.1	9	24	23.00	25.1	27
7	6.00	8.1	10	25	24.00	26.1	28
8	7.00	9.1	11	26	25.00	27.1	29
9	8.00	10.1	12	27	26.00	28.1	30
10	9.00	11.1	13	28	27.00	29.1	31
11	10.00	12.1	14	29	28.00	30.1	32
12	11.00	13.1	15	30	29.00	31.1	33
13	12.00	14.1	16				
14	13.00	15.1	17				
15	14.00	16.1	18				
16	15.00	17.1	19				
17	16.00	18.1	20				
18	17.00	19.1	21				
19	18.00	20.1	22				
20	19.00	21.1	23				
21	20.00	22.1	24				

GENAL TOLERANCE X. ± 0.40 .X ± 0.30 .XX ± 0.20 .XXX ± 0.10	VER DRE. 2006/05/25 H. D. LI	PART NO FPC10 - XX 4 - DH - D - T
	DESIGN H. D. LI	TITLE 1.0mm FPC SMD SIDE ENTRY DUAL CONTACT NON ZIF
	CHECKED Y. M. LU	
	APPROVED J. F. KANG	
UNIT :mm	 宏揚精密有限公司 HOJAR PRECISION CO., LTD.	