


SPECIFICATIONS

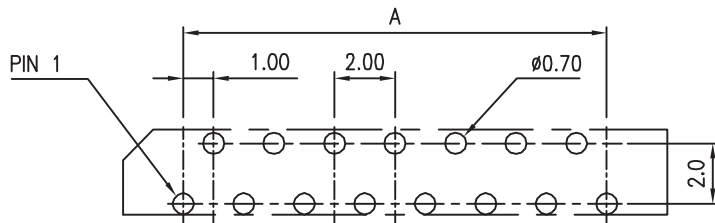
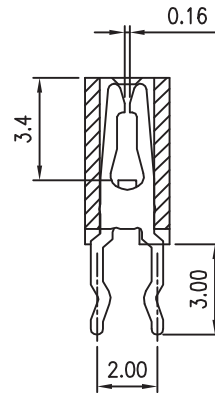
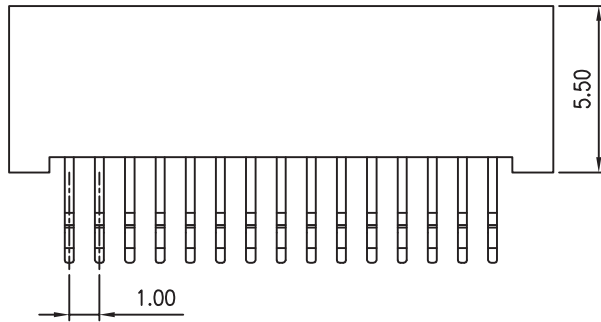
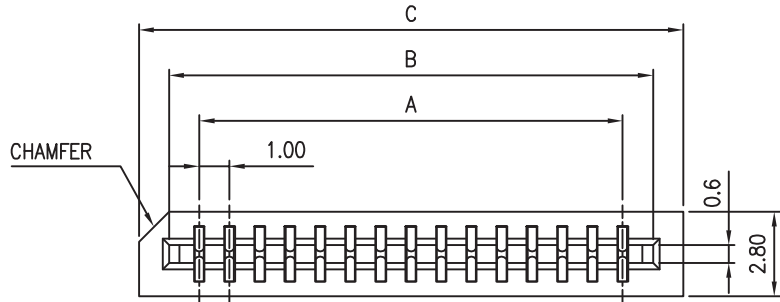
1. MATERIAL :
 INSULATOR : GLASS-REINFORCED THERMOPLASTIC.
 CONTACT : COPPER ALLOY.
 PLATING : ALL TIN,LEAD FREE.
2. ELECTRICAL :
 CURRENT RATING : 0.5 AMP
 DIELECTRIC WITHSTANDING VOLATAGE : 500 VAC MIN.
 INSULATION RESISTANCE : 1000 MEGAOHMS MIN.
 CONTACT RESISTANCE : 30 MILLOHMS MAX.
3. ENVIRONMENTAL :
 TEMPERATURE RANGE : -55°C TO +85°C

ORDER INFORMATION:

FPC10- $\frac{XX}{a}$ 4 - DV - D - $\frac{T}{b}$

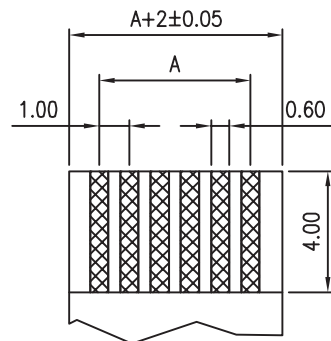
- a. Pin of numbers:
04 ~ 30
- b. Pack:
T : Tube

| | | |
|--|---------------------------------|---|
| GENAL TOLERANCE X. ± 0.40 .X ± 0.30 .XX ± 0.20 .XXX ± 0.10 | VER DRE. 2006/05/25 H. D. LI | PART NO FPC10 - XX 4 - DV - D - T |
| | DESIGN H. D. LI | TITLE 1.0mm FPC SMD TOP ENTRY DUAL CONTACT NON ZIF |
| | CHECKED Y. M. LU | |
| | APPROVED J. F. KANG |  宏揚精密有限公司 HOJAR PRECISION CO., LTD. |
| UNIT :mm | | |



TOLERANCES: ± 0.05

RECOMMENDED PCB LAYOUT



FPC/FFC T=0.30 ± 0.05

| Circuits | Dimension | | | Circuits | Dimension | | |
|----------|-----------|------|----|----------|-----------|------|----|
| | A | B | C | | A | B | C |
| 4 | 3.00 | 5.1 | 7 | 22 | 21.00 | 23.1 | 25 |
| 5 | 4.00 | 6.1 | 8 | 23 | 22.00 | 24.1 | 26 |
| 6 | 5.00 | 7.1 | 9 | 24 | 23.00 | 25.1 | 27 |
| 7 | 6.00 | 8.1 | 10 | 25 | 24.00 | 26.1 | 28 |
| 8 | 7.00 | 9.1 | 11 | 26 | 25.00 | 27.1 | 29 |
| 9 | 8.00 | 10.1 | 12 | 27 | 26.00 | 28.1 | 30 |
| 10 | 9.00 | 11.1 | 13 | 28 | 27.00 | 29.1 | 31 |
| 11 | 10.00 | 12.1 | 14 | 29 | 28.00 | 30.1 | 32 |
| 12 | 11.00 | 13.1 | 15 | 30 | 29.00 | 31.1 | 33 |
| 13 | 12.00 | 14.1 | 16 | | | | |
| 14 | 13.00 | 15.1 | 17 | | | | |
| 15 | 14.00 | 16.1 | 18 | | | | |
| 16 | 15.00 | 17.1 | 19 | | | | |
| 17 | 16.00 | 18.1 | 20 | | | | |
| 18 | 17.00 | 19.1 | 21 | | | | |
| 19 | 18.00 | 20.1 | 22 | | | | |
| 20 | 19.00 | 21.1 | 23 | | | | |
| 21 | 20.00 | 22.1 | 24 | | | | |

| | | |
|--|---------------------------------|---|
| GENAL TOLERANCE X. ± 0.40 .X ± 0.30 .XX ± 0.20 .XXX ± 0.10 | VER DRE. 2006/05/25 H. D. LI | PART NO FPC10 - XX 4 - DV - D - T |
| | DESIGN H. D. LI | TITLE 1.0mm FPC SMD TOP ENTRY DUAL CONTACT NON ZIF |
| | CHECKED Y. M. LU | |
| | APPROVED J. F. KANG | |
| UNIT :mm | | 宏揚精密有限公司 HOJAR PRECISION CO., LTD. |