


SPECIFICATIONS

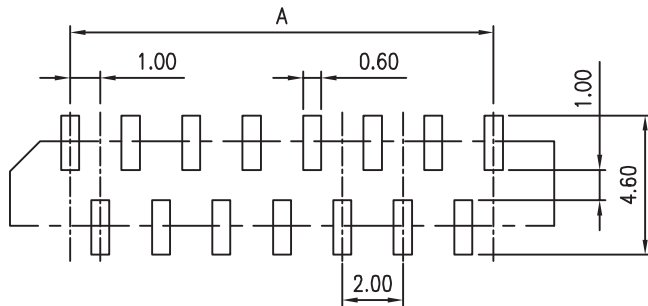
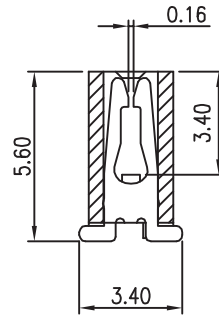
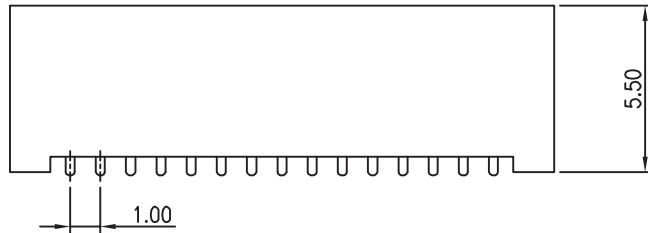
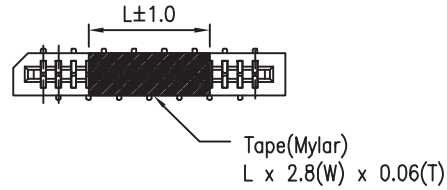
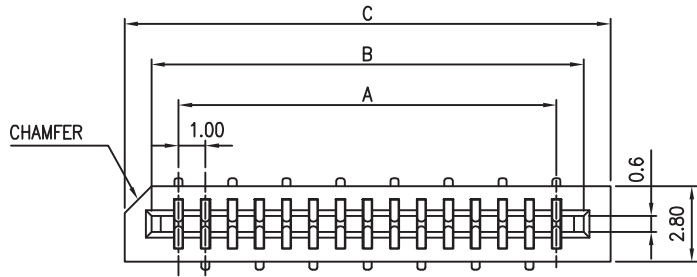
1. MATERIAL :
 INSULATOR : GLASS-REINFORCED THERMOPLASTIC.
 CONTACT : COPPER ALLOY.
 PLATING : ALL TIN,LEAD FREE.
2. ELECTRICAL :
 CURRENT RATING : 0.5 AMP
 DIELECTRIC WITHSTANDING VOLATAGE : 500 VAC MIN.
 INSULATION RESISTANCE : 1000 MEGAOHMS MIN.
 CONTACT RESISTANCE : 30 MILLOHMS MAX.
3. ENVIRONMENTAL :
 TEMPERATURE RANGE : -55°C TO +85°C

ORDER INFORMATION:

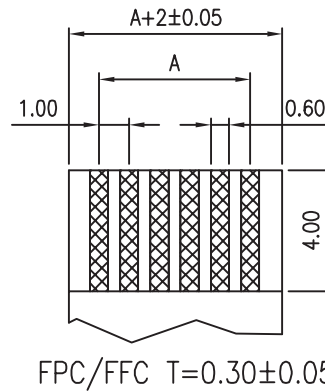
SFPC10- $\frac{XX}{a}$ 4 - DV - S - $\frac{T}{b}$

- a. Pin of numbers:
04 ~ 30
- b. Pack:
T : Tube
R : Reel

GENAL TOLERANCE X. ± 0.40 .X ± 0.30 .XX ± 0.20 .XXX ± 0.10	VER DRE. 2006/05/25 H. D. LI	PART NO SFPC10 - XX 4 - DV - S - T
	DESIGN H. D. LI	TITLE 1.0mm FPC SMD TOP ENTRY DUAL CONTACT NON ZIF
	CHECKED Y. M. LU	
UNIT :mm	APPROVED J. F. KANG	 宏揚精密有限公司 HOJAR PRECISION CO., LTD.



TOLERANCES: ±0.05
RECOMMENDED PCB LAYOUT



Circuits	Dimension				Circuits	Dimension						
	A	B	C	L		A	B	C	L			
4	3.00	5.1	7	4	20	19.00	21.1	23	12			
	5	4.00	6.1		8	21	20.00	22.1		24		
						22	21.00	23.1		25		
23				22.00		24.1	26					
6	5.00	7.1	9	24	23.00	25.1	27					
				7	6.00	8.1	10	25		24.00	26.1	28
								8		7.00	9.1	11
9	8.00	10.1	12									
				10	9.00	11.1	13					
								11		10.00	12.1	14
12	11.00	13.1	15									
				13	12.00	14.1	16					
								14		13.00	15.1	17
15	14.00	16.1	18									
				16	15.00	17.1	19					
								17		16.00	18.1	20
18	17.00	19.1	21									
				19	18.00	20.1	22					

GENAL TOLERANCE .X ± 0.40 .XX ± 0.30 .XX ± 0.20 .XXX ± 0.10	VER DRE. 2006/05/25 H. D. LI	PART NO SFPC10 - XX 4 - DV - S - T
	DESIGN H. D. LI	TITLE 1.0mm FPC SMD TOP ENTRY DUAL CONTACT NON ZIF
	CHECKED Y. M. LU	
UNIT :mm	APPROVED J. F. KANG	宏揚精密有限公司 HOJAR PRECISION CO., LTD.