


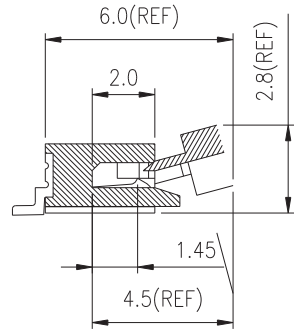
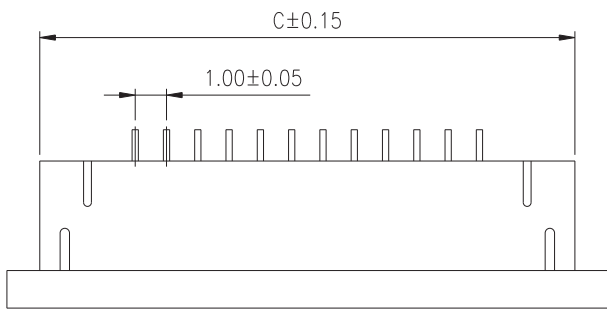
ORDER INFORMATION:

SFPCR10- $\frac{XXA1}{a}$ - L - L - $\frac{X}{b}$

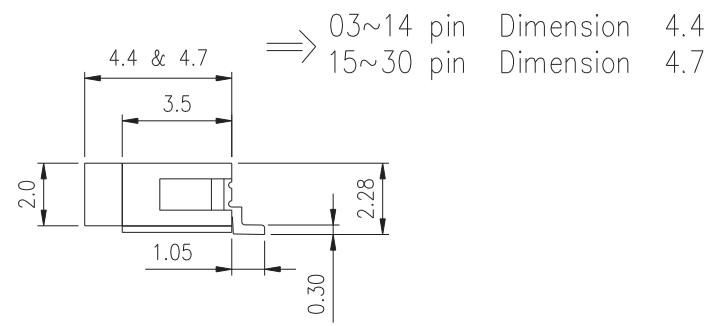
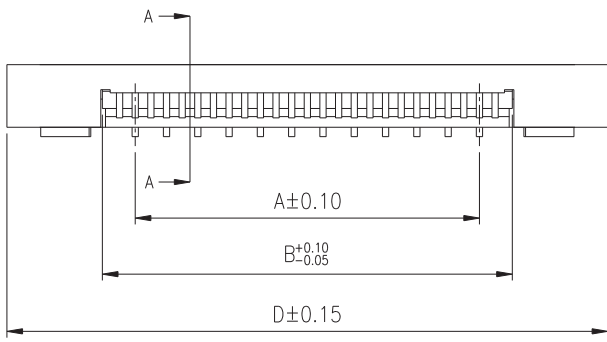
- a. Pin of numbers:
03 ~ 30
- b. Pack :
T : Tube
R: REEL

- MATERIAL
HOUSING: HIGH-TEMP.
ACTUATOR: HIGH-TEMP.
CONTACT: PHOSPHOR BRONZE. PLATING:ALL TIN,LEAD FREE.
HOLDDOWN: BRASS. PLATING:ALL TIN,LEAD FREE.
- ELECTRICAL
VOLTAGE: 50V MAX.
CURRENT: 0.5A MAX.
DIELECTRIC WITHSTANDING VOLTAGE: 250 VAC.
INSULATION RESISTANCE: 50 MEGAOHMS MIN.
CONTACT RESISTANCE: 20 MILLIOHMS MAX.
- ENVIRONMENTAL
TEMPERATURE RANGE: -20°C TO 85°C.

GENAL TOLERANCE .X ± 0.2 .XX ± 0.15 .XXX ± 0.05	VER DRE. M. C. WANG	PART NO SFPCR10-XXA1-L-L-X
	DESIGN M. C. WANG	TITLE 1.0 ZIF FPC CONN. RIGHT ANGLE LOWER CONTACT TYPE.
	CHECKED Y. M. LU	
UNIT :mm	APPROVED J. F. KANG	 宏揚精密有限公司 HOJAR PRECISION CO., LTD.

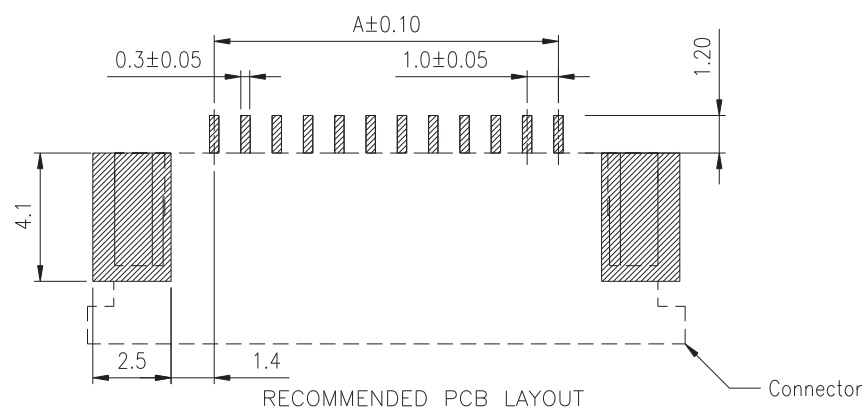


SECTION A-A

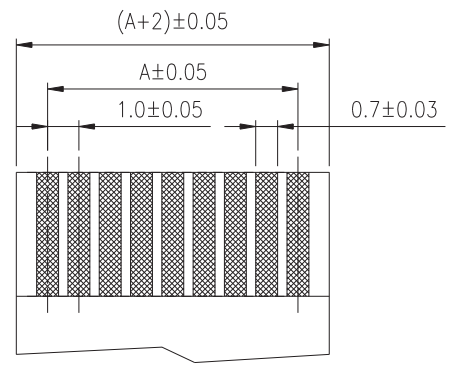


■ DIMENSION TABLE

Circuits	Dimension			
	A	B	C	D
3	2.00	4.10	9.10	10.10
4	3.00	5.10	10.10	11.10
5	4.00	6.10	10.10	12.10
6	5.00	7.10	11.10	13.10
7	6.00	8.10	12.10	14.10
8	7.00	9.10	13.10	15.10
9	8.00	10.10	14.10	16.10
10	9.00	11.10	15.10	17.10
11	10.00	12.10	16.10	18.10
12	11.00	13.10	17.10	19.10
13	12.00	14.10	18.10	20.10
14	13.00	15.10	19.10	21.10
15	14.00	16.10	20.10	22.10
16	15.00	17.10	21.10	23.10
17	16.00	18.10	22.10	24.10
18	17.00	19.10	23.10	25.10
19	18.00	20.10	24.10	26.10
20	19.00	21.10	25.10	27.10
21	20.00	22.10	26.10	28.10
22	21.00	23.10	27.10	29.10
23	22.00	24.10	28.10	30.10
24	23.00	25.10	29.10	31.10
25	24.00	26.10	30.10	32.10
26	25.00	27.10	31.10	33.10
27	26.00	28.10	32.10	34.10
28	27.00	29.10	33.10	35.10
29	28.00	30.10	34.10	36.10
30	29.00	31.10	35.10	37.10



RECOMMENDED PCB LAYOUT



FFC/FPC DIMENSION THICKNESS 0.30 mm

GENERAL TOLERANCE .X ± 0.2 .XX ± 0.15 .XXX ± 0.05	VER DRE. M. C. WANG	PART NO SFPCR10-XXA1-L-L-X
	DESIGN M. C. WANG	TITLE 1.0 ZIF FPC CONN. RIGHT ANGLE LOWER CONTACT TYPE.
	CHECKED Y. M. LU	
	APPROVED J. F. KANG	
UNIT :mm		宏揚精密有限公司 HOJAR PRECISION CO., LTD.