


ORDER INFORMATION:

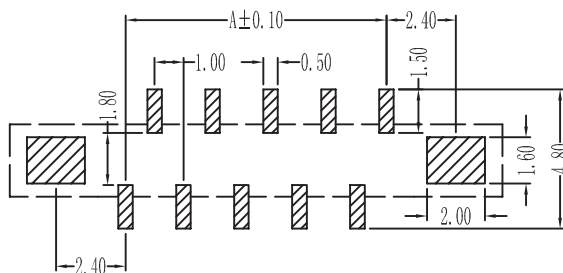
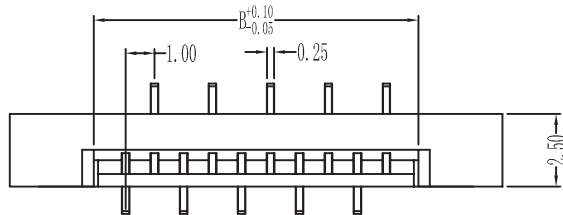
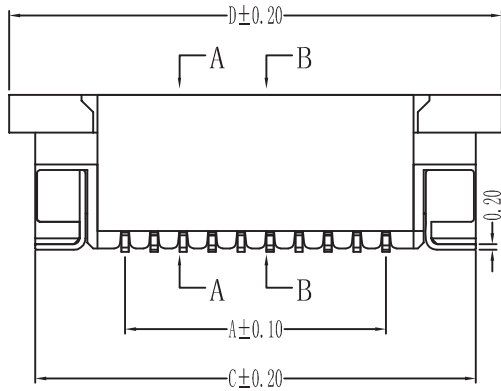
SFPC 10 - $\frac{XX}{a}$ A3- $\frac{VX}{b}$ - $\frac{X}{c}$ - $\frac{X}{d}$

NOTE :
 1. Contacts Finish: Tin 100 "u"Over Nickel 50 "u"
 2. Material: Insulator: Thermoplastic
 Contacts: Phosphor Bronze

- a. No. Of Contacts:
4~35
- b. Type selection:
A: A TYPE
B: B TYPE
- c. L: Low Pb
- d. Pack selection:
T: Tube
R: Reel (1,000pcs/Reel)

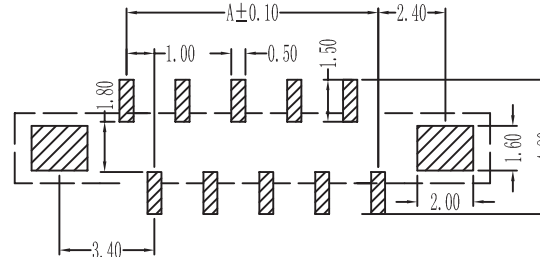
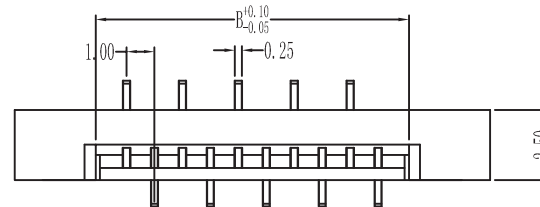
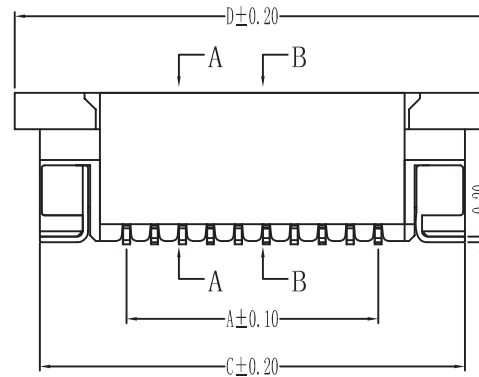
GENAL TOLERANCE .X ± 0.2 .XX ± 0.15 .XXX ± 0.005	DRAW	H. D. LI	PART NO
	DESIGN	H. D. LI	SFPC10-XXA3-VX-X-X
	CHECKED	Y. M. LU	TITLE
	APPROVED	J. F. KANG	FFC/FPC Connector ZIF Straight (Pitch1.0mm) H:2.5mm
UNIT :mm			 宏揚精密有限公司 HOJAR PRECISION CO., LTD.

A TYPE

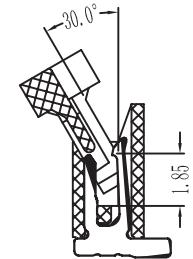
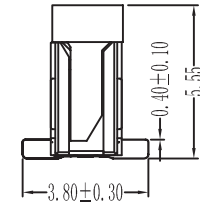


A TYPE PCB Layout

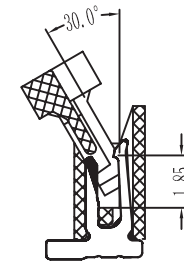
B TYPE




B TYPE PCB Layout



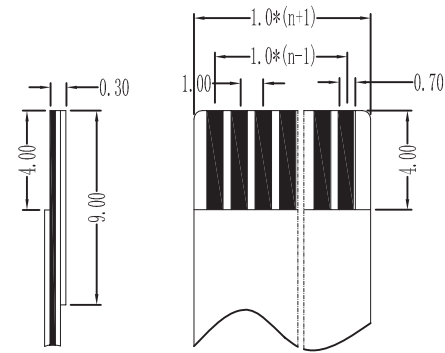
A--A




B--B

GENAL TOLERANCE .X ± 0.2 .XX ± 0.15 .XXX ± 0.005	DRAW H. D. LI	PART NO SFPC10-XXA3-VX-X-X
	DESIGN H. D. LI	TITLE FFC/FPC Connector ZIF Straight (Pitch1.0mm) H:2.5mm
	CHECKED Y. M. LU	
UNIT : mm	APPROVED J. F. KANG	 宏揚精密有限公司 HOJAR PRECISION CO., LTD.

No. of Contocts	DIM. A	DIM. B	DIM. C	DIM. D
04	3	5.2	9.2	11
05	4	6.2	10.2	12
06	5	7.2	11.2	13
07	6	8.2	12.2	14
08	7	9.2	13.2	15
09	8	10.2	14.2	16
10	9	11.2	15.2	17
11	10	12.2	16.2	18
12	11	13.2	17.2	19
13	12	14.2	18.2	20
14	13	15.2	19.2	21
15	14	16.2	20.2	22
16	15	17.2	21.2	23
17	16	18.2	22.2	24
18	17	19.2	23.2	25
19	18	20.2	24.2	26
20	19	21.2	25.2	27
21	20	22.2	26.2	28
22	21	23.2	27.2	29
23	22	24.2	28.2	30
24	23	25.2	29.2	31
25	24	26.2	30.2	32
26	25	27.2	31.2	33
27	26	28.2	32.2	34
28	27	29.2	33.2	35
29	28	30.2	34.2	36
30	29	31.2	35.2	37
31	30	32.2	36.2	38
32	31	33.2	37.2	39
33	32	34.2	38.2	40
34	33	35.2	39.2	41
35	34	36.2	40.2	42



GENAL TOLERANCE .X ± 0.2 .XX ± 0.15 .XXX ± 0.005	DRAW H. D. LI	PART NO SFPC10-XXA3-VX-X-X
	DESIGN H. D. LI	TITLE FFC/FPC Connector ZIF Straight (Pitch1.0mm) H:2.5mm
	CHECKED Y. M. LU	 宏揚精密有限公司 HOJAR PRECISION CO., LTD.
UNIT :mm	APPROVED J. F. KANG	