

SPECIFICATIONS

Voltage Rating : 50V AC/DC

Current Rating : 1A AC/DC

Insulator resistance : 500 MΩ min

Withstanding Voltage : 500V AC / minute

Temperature Range : -25°C to +85°C

Contact Resistance : 20 mΩ max.

MATERIAL :

Contact : Brass, Tin Plated

Base : Nylon 66 UL94V-0 +Glass Fiber

Pack-ance : 1000 Pcs/Bag

ORDER INFORMATION:

WB150 - $\frac{XX}{a}$ H - $\frac{X}{b}$

a. Pin of numbers:

2 ~ 13

b. Pack :

T : Tube


R : Reel

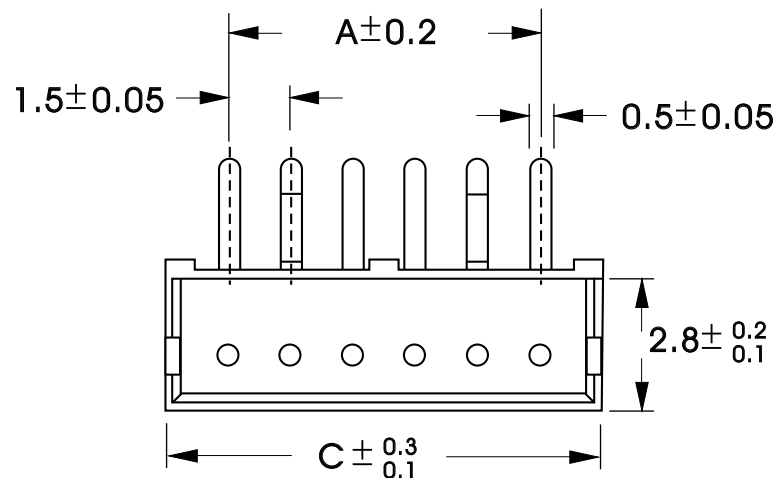
B : Bag

C : Contron

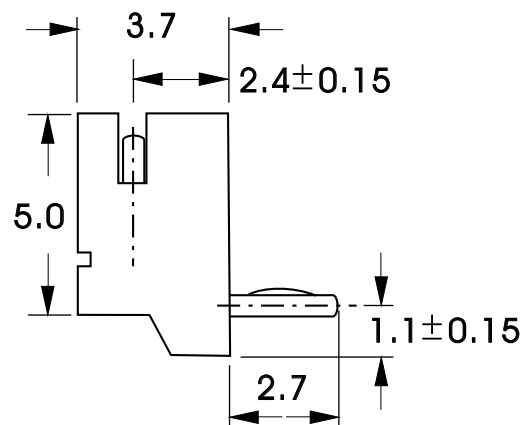
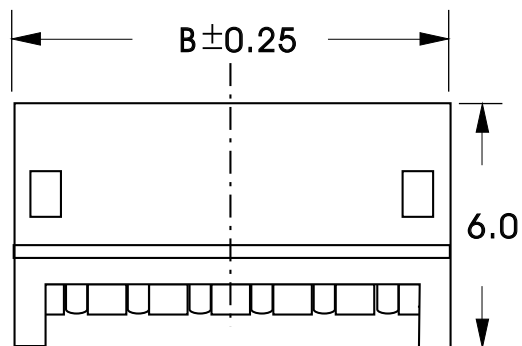
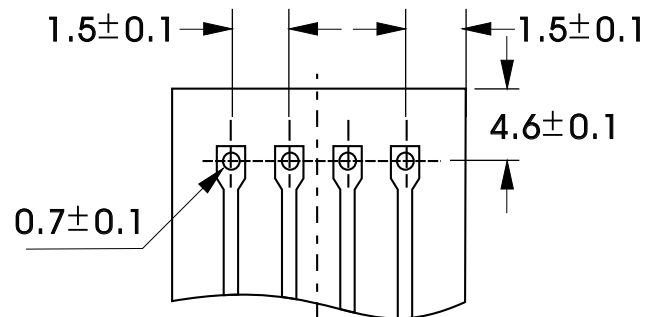
VERSION & EC DESCRIPTION

DATE	VERSION	PAGE	DESCRIPTION
2004/04/28	A	4-5	Add WB150-XXH Plan


GENAL TOLERANCE	DRAW DATE	2004/04/28	PART NO
.X ± 0.3	H. D. LI		WB150 - XXH - X
.XX ± 0.2	DESIGN	H. D. LI	TITLE
.XXX ± 0.1	CHECKED	Y. M. LU	1.5 WAFER DIP XX PIN 90度
	APPROVED	J. F. KANG	 宏揚精密有限公司 HOJAR PRECISION CO. : LTD.
UNIT :mm			



Recommmand PCB Layout



Poles	A	B	C
2	1.50	4.50	3.50
3	3.00	6.00	5.00
4	4.50	7.50	6.50
5	6.00	9.00	8.00
6	7.50	10.50	9.50
7	9.00	12.00	11.00
8	10.50	13.50	12.50
9	12.00	15.00	14.00
10	13.50	16.50	15.50
11	15.00	18.00	17.00
12	16.50	19.50	18.50
13	18.00	21.00	20.00

GENAL TOLERANCE .X ± 0.3 .XX ± 0.2 .XXX ± 0.1	DRAW 2004/04/28 DATE H. D. LI	PART NO WB150 - XXH - X
	DESIGN H. D. LI	TITLE 1.5 WAFER DIP XX PIN 90度
	CHECKED Y. M. LU	 宏揚精密有限公司 HOJAR PRECISION CO. : LTD.
UNIT :mm	APPROVED J. F. KANG	