

SPECIFICATIONS

Voltage Rating : 250V AC/DC

Current Rating : 2A AC/DC

Insulator resistance : 1000 MΩ min

Withstanding Voltage : 800V AC / minute

Temperature Range : -25°C to +85°C

Contact Resistance : 20 mΩ max.

MATERIAL :

Contact : Brass, Tin Plated

Base : Nylon 66 UL94V-0

Pack-ance : 1000 Pcs/Bag

ORDER INFORMATION:

WB200A - $\frac{XX}{a}$ H - $\frac{X}{b}$

a. Pin of numbers:

3

b. Pack :

T : Tube


R : Reel

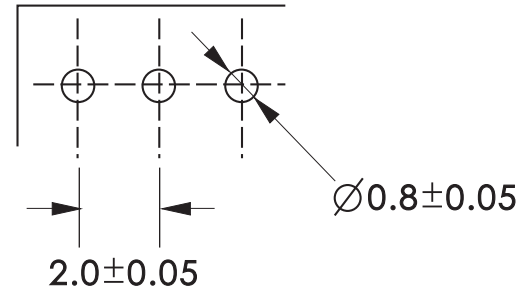
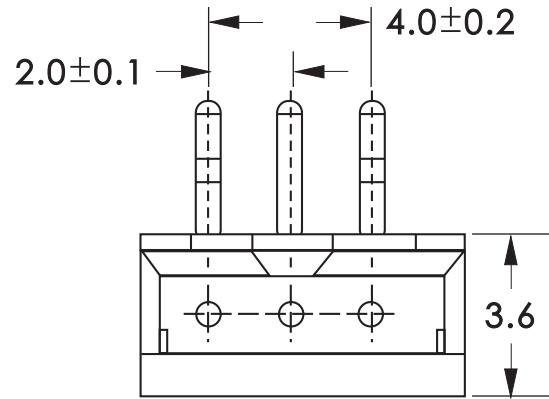
B : Bag

C : Contron

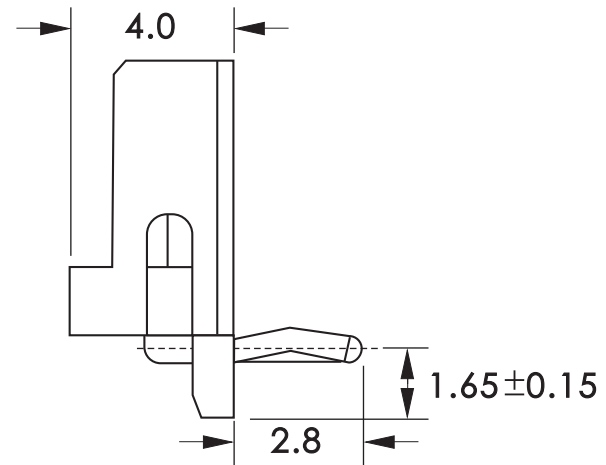
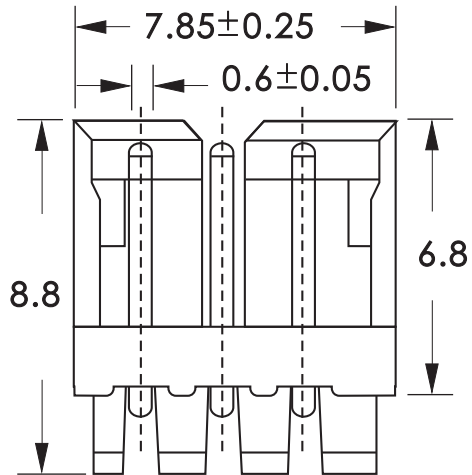
VERSION & EC DESCRIPTION


DATE	VERSION	PAGE	DESCRIPTION
2004/04/29	A	4-5	Add WB200A-XXH Plan

GENERAL TOLERANCE .X ± 0.3 .XX ± 0.2 .XXX ± 0.1	DRAW DATE	2004/04/29 H. D. LI	PART NO WB200A-XXH-X
	DESIGN	H. D. LI	TITLE 2.0 WAFER AMP 小3P Type XXPIN 90度
	CHECKED	Y. M. LU	
UNIT :mm	APPROVED	J. F. KANG	 宏揚精密有限公司 HOJAR PRECISION CO., LTD.



Rceommand P.B.C Layout



GENAL TOLERANCE .X ± 0.3 .XX ± 0.2 .XXX ± 0.1	DRAW 2004/04/29 DATE H. D. LI	PART NO WB200A- XXH - X
	DESIGN H. D. LI	TITLE 2.0 WAFER AMP 小3P Type XXPIN 90度
	CHECKED Y. M. LU	
UNIT :mm	APPROVED J. F. KANG	 宏揚精密有限公司 HOJAR PRECISION CO., LTD.