

SPECIFICATIONS

Voltage Rating : 100V AC/DC

Current Rating : 2A AC/DC

Insulator resistance : 1000 MΩ min

Withstanding Voltage : 800V AC / minute

Temperature Range : -25°C to +85°C

Contact Resistance : 20 mΩ max.

MATERIAL :

Contact : Brass, Tin Plated

Base : Nylon 66 UL94V-0

Pack-ance : 1000 Pcs / Bag

ORDER INFORMATION:WB200P - $\frac{XX}{a}$ V - $\frac{X}{b}$

a. Pin of numbers:

2 ~ 16

b. Pack :

T : Tube


R : Reel

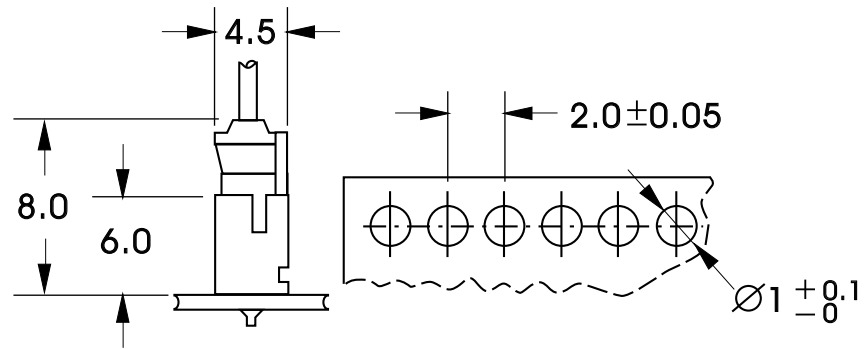
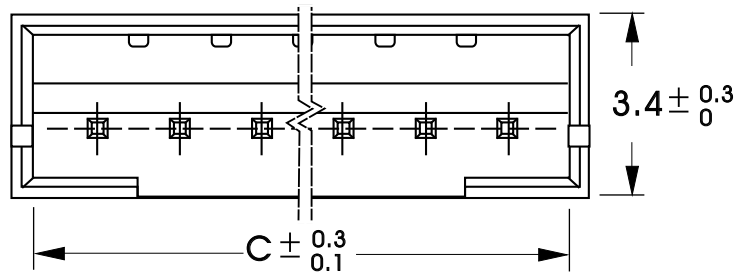
B : Bag

C : Contron

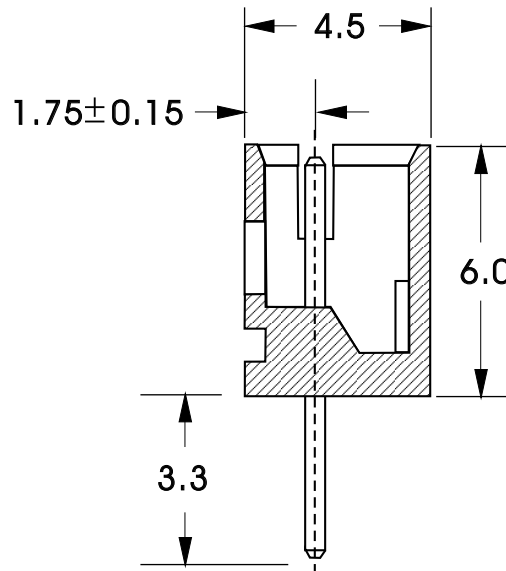
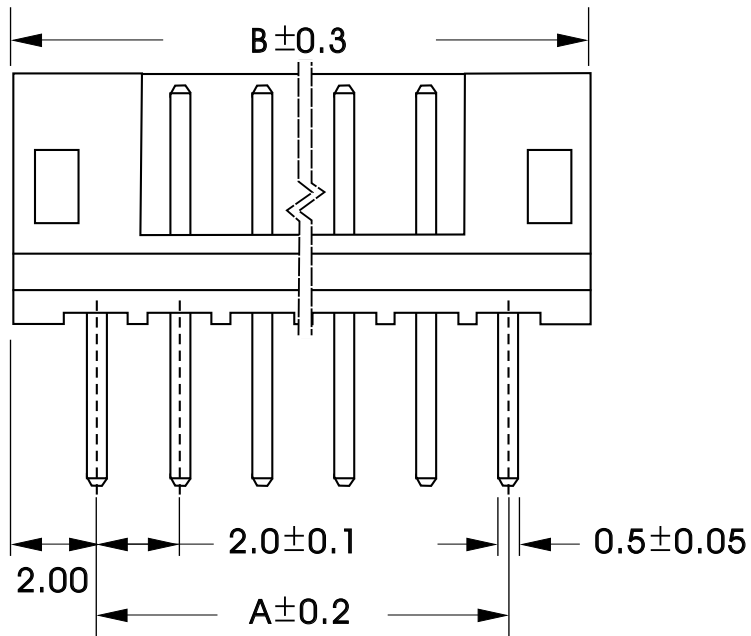
VERSION & EC DESCRIPTION

DATE	VERSION	PAGE	DESCRIPTION
2004/04/30	A	10-11	Add WB200P-XXV Plan


GENERAL TOLERANCE .X ± 0.3 .XX ± 0.2 .XXX ± 0.1	DRAW DATE	2004/04/30 H. D. LI	PART NO WB200P- XXV - X
	DESIGN	H. D. LI	TITLE 2.0 WAFER PH Type XX PIN 180度
	CHECKED	Y. M. LU	
	APPROVED	J. F. KANG	 宏揚精密有限公司 HOJAR PRECISION CO. : LTD.
UNIT :mm			



P.C.B Hole Dimensions



Poles	A	B	C
2	2.00	6.00	5.00
3	4.00	8.00	7.00
4	6.00	10.00	9.00
5	8.00	12.00	11.00
6	10.00	14.00	13.00
7	12.00	16.00	15.00
8	14.00	18.00	17.00
9	16.00	20.00	19.00
10	18.00	22.00	21.00
11	20.00	24.00	23.00
12	22.00	26.00	25.00
13	24.00	28.00	27.00
14	26.00	30.00	29.00
15	28.00	32.00	31.00
16	30.00	34.00	33.00

GENAL TOLERANCE .X ± 0.3 .XX ± 0.2 .XXX ± 0.1	DRAW 2004/04/30 DATE H. D. LI	PART NO WB200P- XXV - X
	DESIGN H. D. LI	TITLE 2.0 WAFER PH Type XX PIN 180度
	CHECKED Y. M. LU	 宏揚精密有限公司 HOJAR PRECISION CO. : LTD.
	APPROVED J. F. KANG	
UNIT :mm		