

ORDER INFORMATION:

WB200027- $\frac{XXH}{a}$ - CN - $\frac{X}{b}$

■ **SPECIFICATIONS**

- Voltage Rating : 250V AC/DC
- Current Rating : 2A AC/DC
- Withstanding Voltage : 500V AC/minute
- Insulation Resistance : 1000MΩ min
- Temperature Range : - 25°C to + 85°C
- Contact Resistance : 20mΩ max

■ **WAFER**


- Material : Contact : Brass, Tin Plated
Base : Nylon 66 UL94V-0
- Q' ty : 1000 pcs./Bag

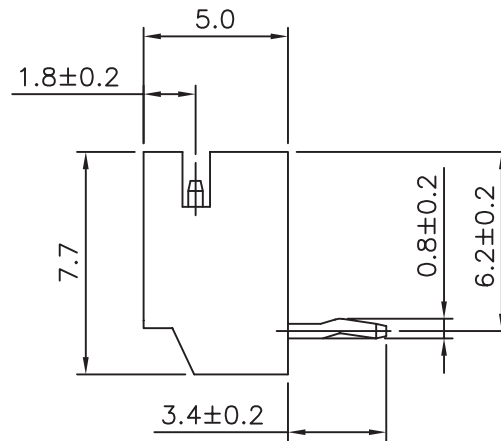
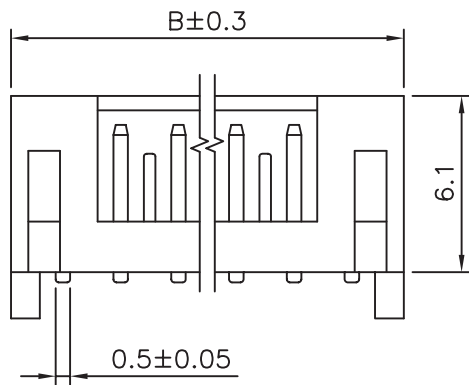
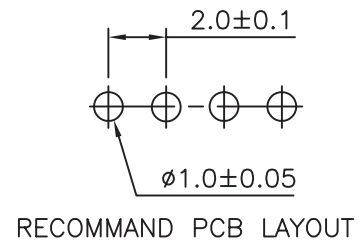
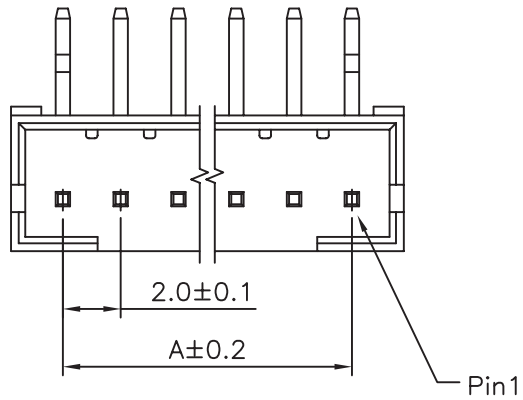
a. Pin of numbers:

2 ~ 15


b. Pack :

B : Bag

GENAL TOLERANCE .X ± 0.3 .XX ± 0.2 .XXX ± 0.1	DATE H. D. LI DESIGN H. D. LI CHECKED Y. M. LU APPROVED J. F. KANG	PART NO WB200027-XXH-CN-X TITLE 2.0 WAFER JAE Type XX PIN 90度  宏揚精密有限公司 HOJAR PRECISION CO., LTD.
UNIT :mm		



Poles	Dimensions(mm)	
	A	B
2	2.00	6.00
3	4.00	8.00
4	6.00	10.00
5	8.00	12.00
6	10.00	14.00
7	12.00	16.00
8	14.00	18.00
9	16.00	20.00
10	18.00	22.00
11	20.00	24.00
12	22.00	26.00
13	24.00	28.00
14	26.00	30.00
15	28.00	32.00

GENAL TOLERANCE .X ± 0.3 .XX ± 0.2 .XXX ± 0.1	DATE	H. D. LI	PART NO WB200027-XXH-CN-X
	DESIGN	H. D. LI	
	CHECKED	Y. M. LU	2.0 WAFER JAE Type XX PIN 90度
UNIT :mm	APPROVED	J. F. KANG	 宏揚精密有限公司 HOJAR PRECISION CO., LTD.