

SPECIFICATIONS

Voltage Rating : 250V AC Maximum

Current Rating : 3A AC/DC

Insulator resistance : 1000 M Ω min

Temperature Range : -25°C to +85°C

Contact Resistance : 10 m Ω max.

Terminal Material : Brass/Tin-plated

Material : Nylon 66 UL94V-0


ORDER INFORMATION:

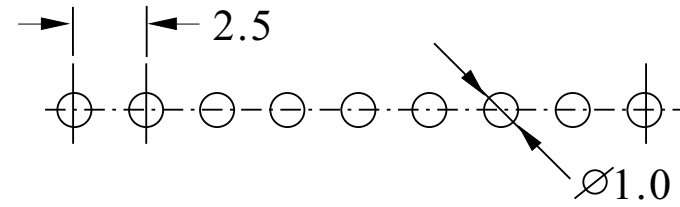
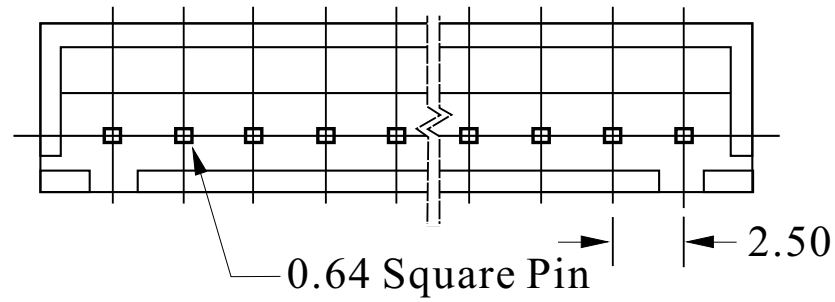
WB250X - $\frac{XX}{a}$ V - $\frac{X}{b}$

- a. Pin of numbers:
02 ~ 20
- b. Pack assortment :
T : Tube
R : Reel
B : Bag
C : Contron

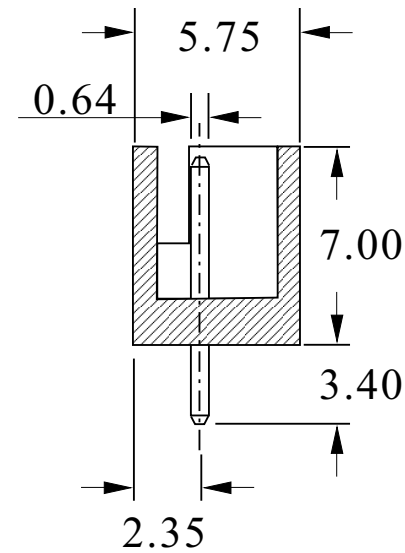
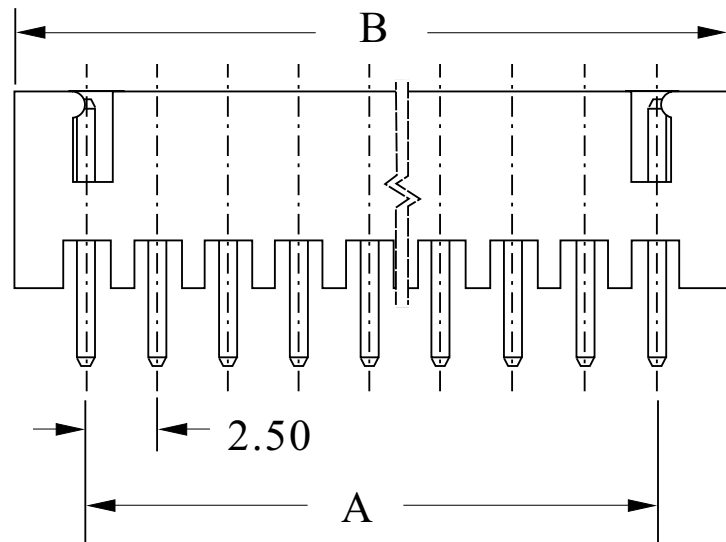
VERSION & EC DESCRIPTION

DATE	VERSION	PAGE	DESCRIPTION
2005/03/24	A	2-3	Add WB250X-XXV Plan
2005/08/01	B	2-3	修改公差值

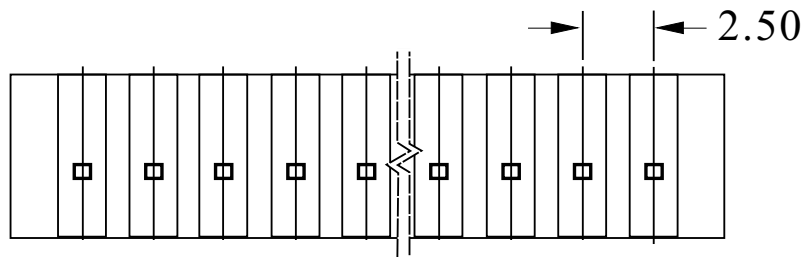
GENERAL TOLERANCE .X \pm 0.5 .XX \pm 0.1	DRAW DATE	2005/03/24 H. D. LI	PART NO WB 250X - XX V - X
	DESIGN	H. D. LI	TITLE 2.5mm Wire to Board Header DIP 180° Type
	CHECKED	Y. M. LU	
	APPROVED	J. F. KANG	
UNIT :mm			 宏揚精密有限公司 HOJAR PRECISION CO. : LTD.



Remcommended PCB Layout



Poles	A	B
2	2.50	7.50
3	5.00	10.00
4	7.50	12.50
5	10.00	15.00
6	12.50	17.50
7	15.00	20.00
8	17.50	22.50
9	20.00	25.00
10	22.50	27.50
11	25.00	30.00
12	27.50	32.50
13	30.00	35.00
14	32.50	37.50
15	35.00	40.00
16	37.50	42.50
17	40.00	45.00
18	42.50	47.50
19	45.00	50.00
20	47.50	52.50



GENAL TOLERANCE .X ± 0.5 .XX ± 0.1	DRAW 2005/03/24 DATE H. D. LI	PART NO WB 250X - XX V - X
	DESIGN H. D. LI	TITLE 2.5mm Wire to Board Header DIP 180° Type
	CHECKED Y. M. LU	
	APPROVED J. F. KANG	
UNIT :mm		宏揚精密有限公司 HOJAR PRECISION CO. : LTD.