

SPECIFICATIONS

Voltage Rating : 250V AC Maximum

Current Rating : 3A AC/DC

Insulator resistance : 1000 MΩ min

Temperature Range : -25°C to +85°C

Contact Resistance : 10 mΩ max.

Terminal Material : Brass/Tin-plated

Material : Nylon 66 UL94V-0

ORDER INFORMATION:

WB250X - $\frac{XX}{a}$ H - $\frac{X}{b}$

a. Pin of numbers:

02 ~ 20

b. Pack assortment :

T : Tube


R : Reel

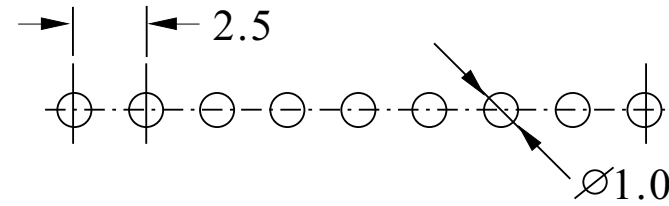
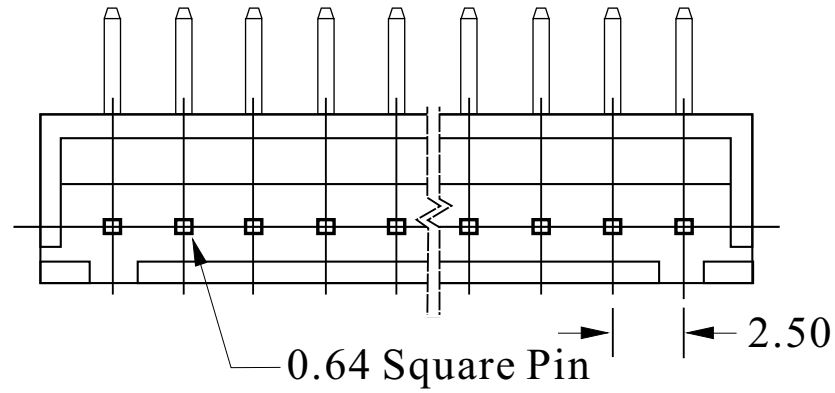
B : Bag

C : Contron

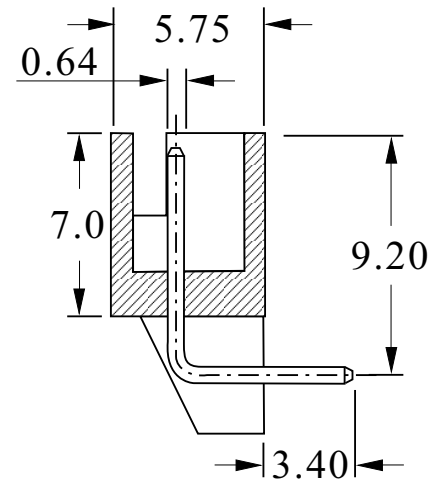
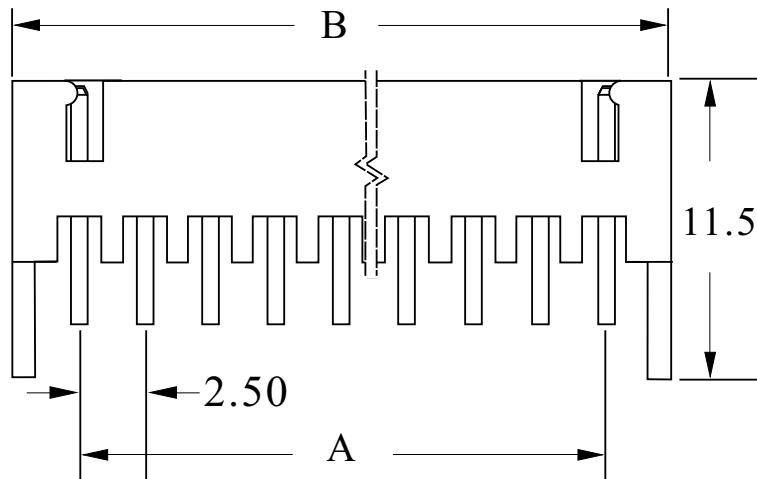
VERSION & EC DESCRIPTION

DATE	VERSION	PAGE	DESCRIPTION
2005/03/24	A	4-5	Add WB250X-XXH Plan

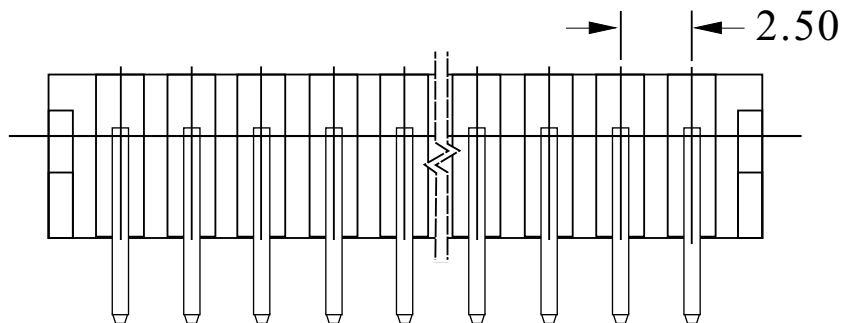
GENERAL TOLERANCE .X ± 0.5 .XX ± 0.15	DRAW DATE	2005/03/24 H. D. LI	PART NO	WB 250X - XX H - X
	DESIGN	H. D. LI	TITLE	2.5mm Wire to Board Header DIP 90° Type
	CHECKED	Y. M. LU		
	APPROVED	J. F. KANG		
UNIT :mm				 宏揚精密有限公司 HOJAR PRECISION CO. : LTD.




Remcommended PCB Layout



Poles	A	B
2	2.50	7.50
3	5.00	10.00
4	7.50	12.50
5	10.00	15.00
6	12.50	17.50
7	15.00	20.00
8	17.50	22.50
9	20.00	25.00
10	22.50	27.50
11	25.00	30.00
12	27.50	32.50
13	30.00	35.00
14	32.50	37.50
15	35.00	40.00
16	37.50	42.50
17	40.00	45.00
18	42.50	47.50
19	45.00	50.00
20	47.50	52.50



GENAL TOLERANCE .X ± 0.5 .XX ± 0.15	DRAW 2005/03/24 DATE H. D. LI	PART NO WB 250X - XX H - X
	DESIGN H. D. LI	TITLE 2.5mm Wire to Board Header DIP 90° Type
	CHECKED Y. M. LU	
	APPROVED J. F. KANG	
UNIT :mm		 宏揚精密有限公司 HOJAR PRECISION CO. : LTD.