

SPECIFICATIONS

Voltage Rating : 250V AC/DC

Current Rating : 2.5A

Insulator resistance : 1000 MΩ min

Withstanding Voltage : 800V AC / minute

Temperature Range : -25°C to +85°C

Contact Resistance : 20 mΩ max.

Applicable P.C.B. Hole dia.: Ø1.20±0.05

Applicable Wire Range: AWG #22~#28

MATERIAL :

Contact : Brass, Tin Plated

Base : Nylon 66 UL94V-0


Pack-ance : 1000 Pcs/Bag

ORDER INFORMATION:WB 250 - $\frac{XX}{a}$ H - $\frac{X}{b}$

- a. Pin of numbers:
02 ~ 15
- b. Pack assortment :
T : Tube
R : Reel
B : Bag
C : Contron

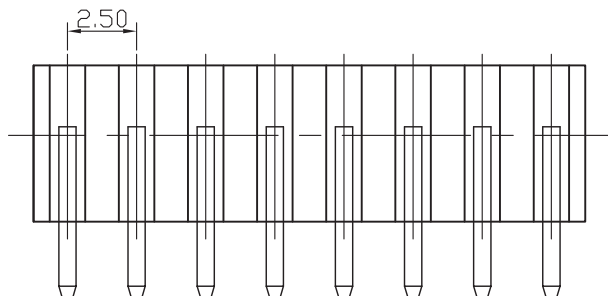
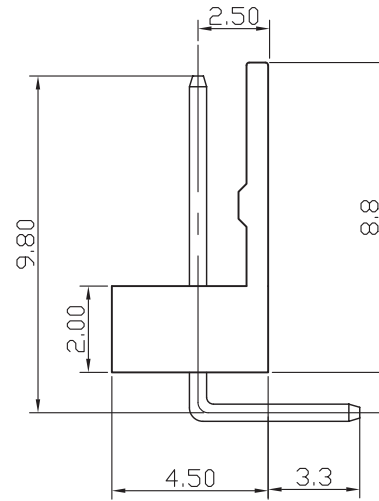
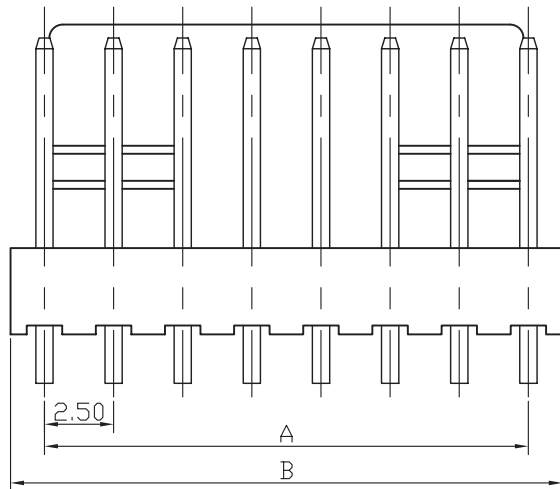
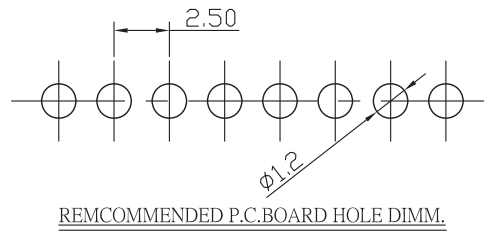
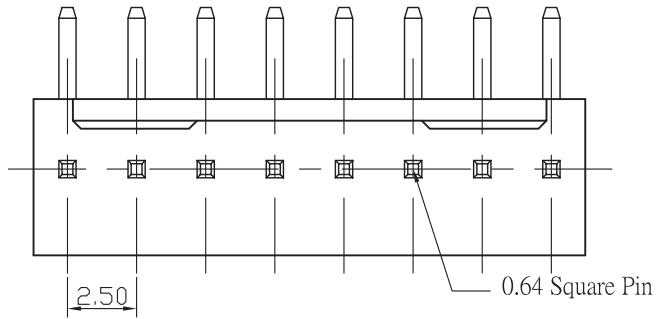
VERSION & EC DESCRIPTION

DATE	VERSION	PAGE	DESCRIPTION
2004/10/22	A	8-9	Add WB250-XXH Plan
2006/11/30			修改 PIN數,更新圖面尺寸

GENERAL TOLERANCE .X ± 0.5 .XX ± 0.1	DRAW DATE	2004/10/22 H. D. LI	PART NO	WB 250 - XX H - X
	DESIGN	H. D. LI	TITLE	WAFER 杜邦 2.5mm DIP TYPE 90度
	CHECKED	Y. M. LU	 宏揚精密有限公司 HOJAR PRECISION CO., LTD.	
UNIT :mm	APPROVED	J. F. KANG		

VERSION

A



Poles	A	B
2	2.5	5.1
3	5.0	7.6
4	7.5	10.1
5	10.0	12.6
6	12.5	15.1
7	15.0	17.6
8	17.5	20.1
9	20.0	22.6
10	22.5	25.1
11	25.0	27.6
12	27.5	30.1
13	30.0	32.6
14	32.5	35.1
15	35.0	37.6
16	37.5	40.1
17	40.0	42.6
18	42.5	45.1
19	45.0	47.6
20	47.5	50.1

GENERAL TOLERANCE .X ± 0.5 .XX ± 0.1	DRAW DATE 2004/10/22 H. D. LI	PART NO WB 250 - XX H - X
	DESIGN H. D. LI	TITLE WAFER 杜邦 2.5mm DIP TYPE 90度
	CHECKED Y. M. LU	
	APPROVED J. F. KANG	
UNIT :mm		宏揚精密有限公司 HOJAR PRECISION CO., LTD.