

SPECIFICATIONS

Voltage Rating : 250V AC Maximum

Current Rating : 2A AC/DC

Insulator resistance : 1000 MΩ min

Temperature Range : -25°C to +85°C

Contact Resistance : 10 mΩ max.

MATERIAL :

Terminal Material : Brass/Tin-plated/Gold-plated

Material : Nylon 66 UL94V-2

ORDER INFORMATION:WB254 - $\frac{XX}{a}$ V - $\frac{X}{b}$

a. Pin of numbers:

02 ~ 20

b. Pack :

T : Tube


R : Reel

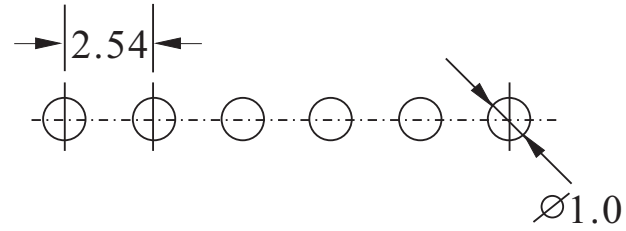
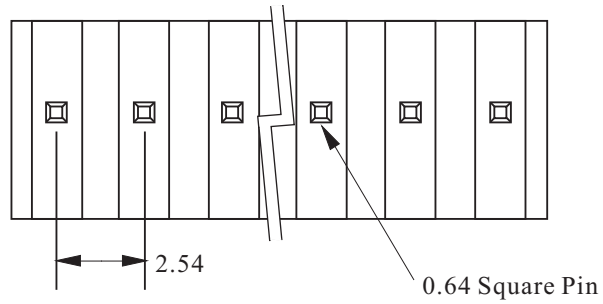
B : Bag

C : Contron

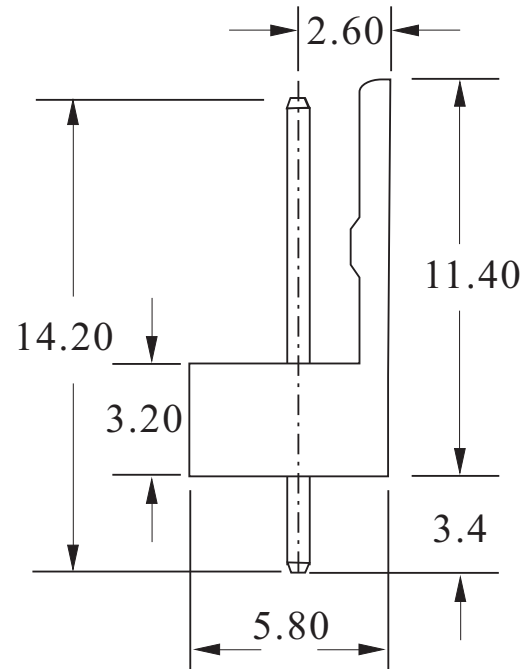
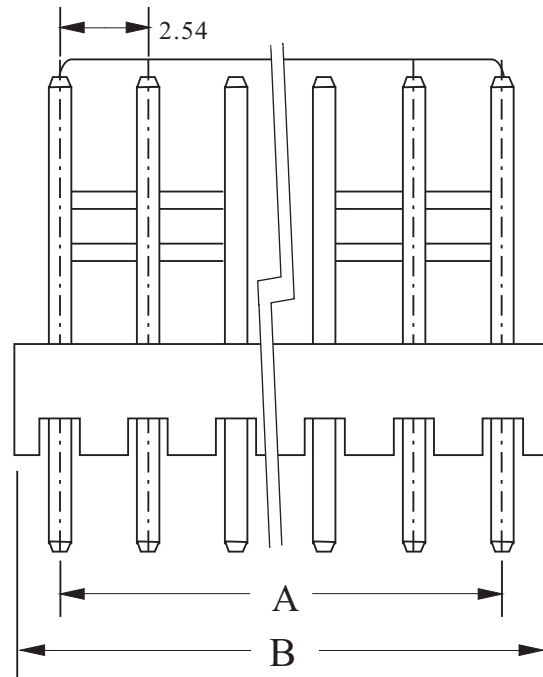
VERSION & EC DESCRIPTION

DATE	VERSION	PAGE	DESCRIPTION
2005/03/31	A	2-3	Add WB254-XXV Plan
2005/07/26	A	2-3	修改公差值

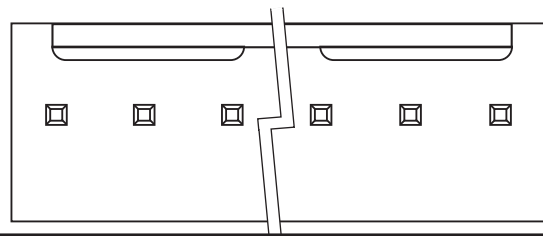
GENERAL TOLERANCE .X ± 0.3 .XX ± 0.25	DRAW DATE	2005/07/26 H. D. LI	PART NO WB254 - XX V - X
	DESIGN	H. D. LI	TITLE 2.54 Wafer Wire to Board Header DIP 180° Type
	CHECKED	Y. M. LU	
	APPROVED	J. F. KANG	
UNIT :mm			 宏揚精密有限公司 HOJAR PRECISION CO. : LTD.



Recommand PCB Layout



Poles	A	B
2	2.54	5.12
3	5.08	7.66
4	7.62	10.20
5	10.16	12.74
6	12.70	15.30
7	15.24	17.94
8	17.78	20.48
9	20.32	23.02
10	22.86	25.58
11	25.40	28.12
12	27.94	30.68
13	30.48	33.10
14	33.02	35.80
15	35.56	38.34
16	38.10	40.94
17	40.64	43.30
18	43.18	45.90
19	45.72	48.56
20	48.26	50.80



GENAL TOLERANCE .X ± 0.3 .XX ± 0.25	DRAW 2005/07/26 DATE H. D. LI	PART NO WB254 - XX V - X
	DESIGN H. D. LI	TITLE 2.54 Wafer Wire to Board Header DIP 180° Type
	CHECKED Y. M. LU	
UNIT :mm	APPROVED J. F. KANG	宏揚精密有限公司 HOJAR PRECISION CO. : LTD.