


Specifications

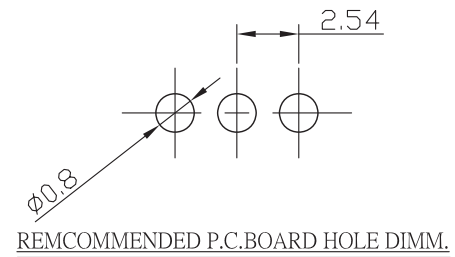
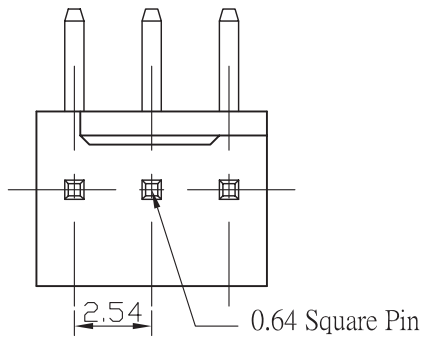
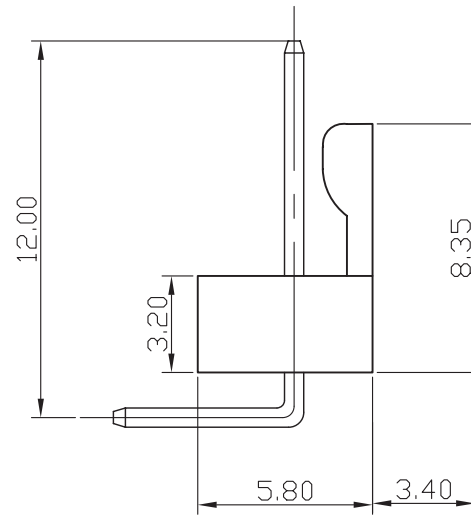
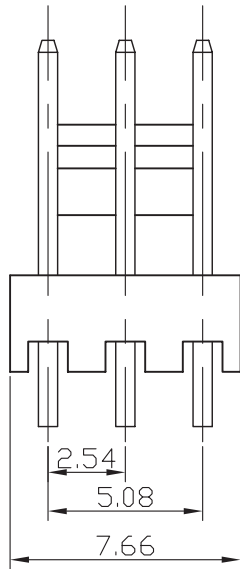
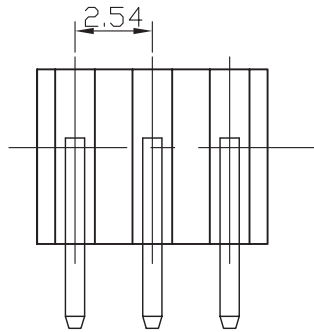
Current Rating: 2A AC, DC
 Voltage Rating: 250 AC Maximum
 Operating Temp: -25°C ~ + 85°C
 Contact Resistance: 10mΩ Max
 Insulation Resistance: 1000MΩ Min
 Terminal Material: Brass/ Tin-plated/ Gold-plated
 Material: Nylon 66, UL94V-2


ORDER INFORMATION:

WB254R011 - XXS - WN - B
 a

a. Pin of numbers:
 02~04

GENAL TOLERANCE .X ± 0.5 .XX ± 0.1	DATE	H. D. LI	PART NO	WB254R011-XXS-WN-B
	DESIGN	H. D. LI	TITLE	2.54 Wafer Wire to Board Header DIP 90° Type (短靠背)
	CHECKED	Y. M. LU		
UNIT :mm	APPROVED	J. F. KANG	 宏揚精密有限公司 HOJAR PRECISION CO., LTD.	



GENERAL TOLERANCE .X ± 0.5 .XX ± 0.1	DATE H. D. LI	PART NO WB254R011-XXS-WN-B
	DESIGN H. D. LI	TITLE 2.54 Wafer Wire to Board Header DIP 90° Type (短靠背)
	CHECKED Y. M. LU	
	APPROVED J. F. KANG	
UNIT :mm		 宏揚精密有限公司 HOJAR PRECISION CO., LTD.