

Specification

Voltage rating:250V DC/AC RMS
Current rating:5.0A Max
Insulation resistance:1000 megohms Min
Dielectric Withstanding Voltage: 1500V AC.
Contact Resistance: 10 milliohms Max.
Temperature Rise:30°C Max


Features:

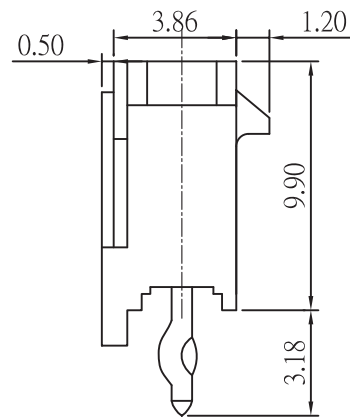
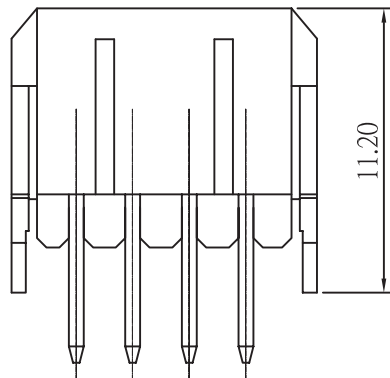
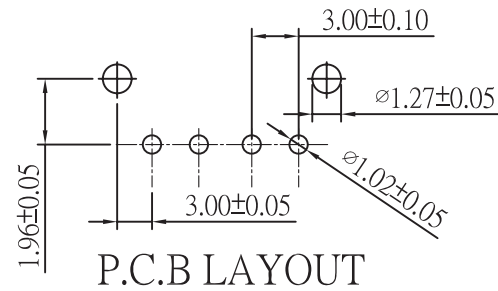
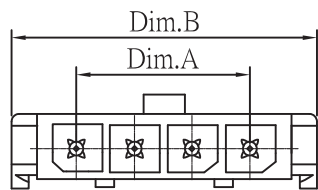
Material: NYLON 46 ,UL94V-0
Standand color:Black
Headers pin:0.64mm square pins
Brass tin-plated

ORDER INFORMATION:

WBS300-XX V-B
a


a. Pin of numbers:
2~12

GENAL TOLERANCE .X ± 0.5 .XX ± 0.1	DRAW 2005/05/16 DATE H. D. LI	PART NO WBS300-XXV-B
	DESIGN H. D. LI	TITLE 3.0mm Wire to Board Header DIP 180W(Micro-Fit 3.0)
	CHECKED Y. M. LU	
	APPROVED J. F. KANG	 宏揚精密有限公司 HOJAR PRECISION CO., LTD.
UNIT :mm		



Dimensional Information

Circuits	Dim.A	Dim.B	Circuits	Dim.A	Dim.B
2	3.0	9.0	8	21.0	27.0
3	6.0	12.0	9	24.0	30.0
4	9.0	15.0	10	27.0	33.0
5	12.0	18.0	11	30.0	36.0
6	15.0	21.0	12	33.0	39.0
7	18.0	24.0			

GENERAL TOLERANCE .X ± 0.5 .XX ± 0.1	DRAW 2005/05/16 DATE H. D. LI	PART NO WBS300-XXV-B
	DESIGN H. D. LI	TITLE 3.0mm Wire to Board Header DIP 180W (Micro-Fit 3.0)
	CHECKED Y. M. LU	
	APPROVED J. F. KANG	
UNIT :mm		 宏揚精密有限公司 HOJAR PRECISION CO., LTD.