

Specification

Voltage rating:250V DC/AC RMS

Current rating:5.0A Max

Insulation resistance:1000 megohms Min

Dielectric Withstanding Voltage: 1500V AC.

Contact Resistance: 10miliohms Max.

Temperature Rise:30°C Max

Features:

Material: NYLON 46 ,UL94V-0

Standand color:Black

Headers pin:0.64mm square pins

Brass tin-plated


ORDER INFORMATION:

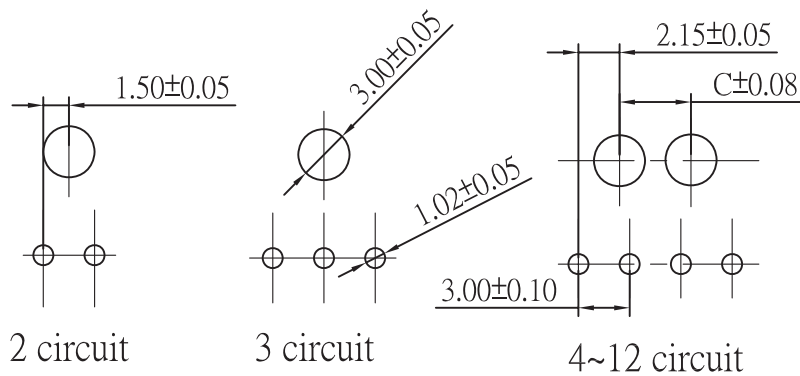
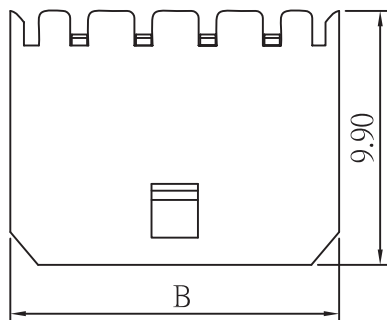
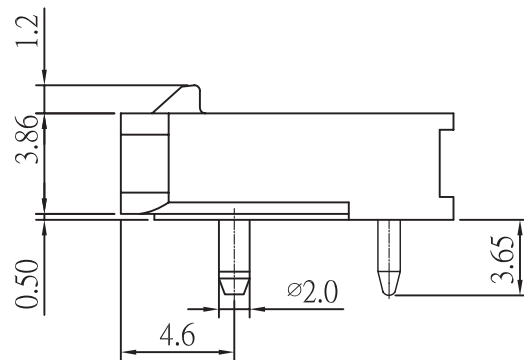
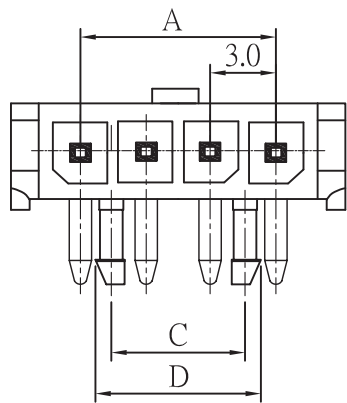
WBS300-XX H-B

a

a. Pin of numbers:

2~12


GENAL TOLERANCE .X ± 0.5 .XX ± 0.1	DRAW 2005/05/16 DATE H. D. LI	PART NO WBS300-XXH-B
	DESIGN H. D. LI	TITLE 3.0mm Wire to Board Header DIP 90W(Micro-Fit 3.0)
	CHECKED Y. M. LU	
	APPROVED J. F. KANG	
UNIT :mm		 宏揚精密有限公司 HOJAR PRECISION CO., LTD.



P.C.B LAYOUT

Dimensional Information

Circuits	Dim.A	Dim.B	Dim.C	Dim.D	Circuits	Dim.A	Dim.B	Dim.C	Dim.D
2	3.0	9.0			8	21.0	27.0	16.7	20.0
3	6.0	12.0			9	24.0	30.0	19.7	23.0
4	9.0	15.0	4.7	8.0	10	27.0	33.0	22.7	26.0
5	12.0	18.0	7.7	11.0	11	30.0	36.0	25.7	29.0
6	15.0	21.0	10.7	14.0	12	33.0	39.0	28.7	32.0
7	18.0	24.0	13.7	17.0					

GENERAL TOLERANCE .X ± 0.5 .XX ± 0.1	DRAW 2005/05/16 DATE H. D. LI	PART NO WBS300-XXH-B
	DESIGN H. D. LI	TITLE 3.0mm Wire to Board Header DIP 90W(Micro-Fit 3.0)
	CHECKED Y. M. LU	
UNIT :mm	APPROVED J. F. KANG	 宏揚精密有限公司 HOJAR PRECISION CO., LTD.