

Specification

Electrical

Voltage rating:250V DC/AC

Current Rating:5.0A Max

Insulation Resistance: 1000MΩ/ min.

Contact Resistance: 10mΩ/ min.

Dielectric Withstanding Voltage: 1500V AC

Contact Resistance: 10mΩ/ max.

Operating Temp.: -25°C ~ +105°C

Physical

Plastic: LCP, UL94V-0

Contact: Brass; Tin Plated


ORDER INFORMATION:

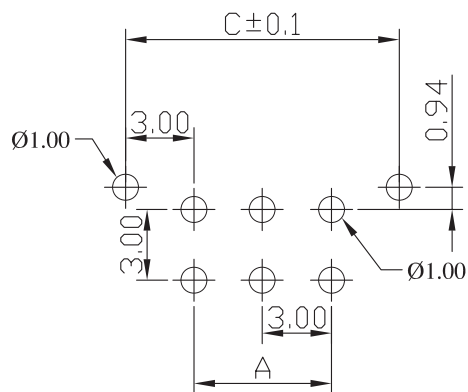
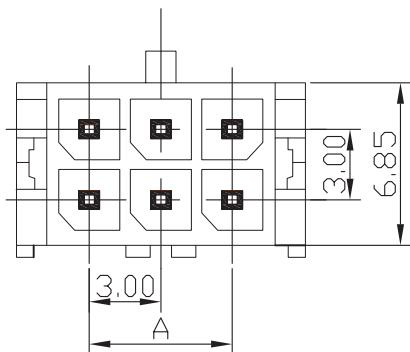
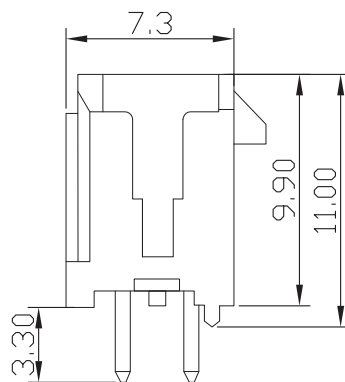
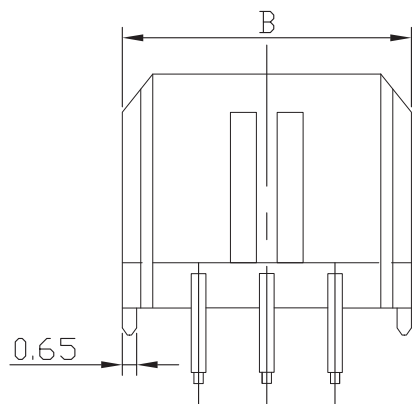
WBD300-XXV-B
a

a. Pin of numbers:

2、4、6、8、10、12、


14、16、18、20、22、24

GENAL TOLERANCE .X ± 0.5 .XX ± 0.1	DRAW 2005/05/16	PART NO
	DATE H. D. LI	WBD300-XXV-B
	DESIGN H. D. LI	TITLE
	CHECKED Y. M. LU	WAFER Micro-Fit 3.0mm Dual Row DIP 180W
	APPROVED J. F. KANG	 宏揚精密有限公司 HOJAR PRECISION CO., LTD.
UNIT :mm		



Dimensions Infrmatian

Poles	Dimension mm		
	A	B	C
2	—	6.00	5.9
4	3.00	9.00	8.9
6	6.00	12.00	11.9
8	9.00	15.00	14.9
10	12.00	18.00	17.9
12	15.00	21.00	20.9
14	18.00	24.00	23.9
16	21.00	27.00	26.9
18	24.00	30.00	29.9
20	27.00	33.00	32.9
22	30.00	36.00	35.9
24	33.00	39.00	38.9

GENAL TOLERANCE .X ± 0.5 .XX ± 0.1	DRAW 2005/05/16 DATE H. D. LI	PART NO WBD300-XXV-B
	DESIGN H. D. LI	TITLE WAFER Micro-Fit 3.0mm Dual Row DIP 180W
	CHECKED Y. M. LU	
UNIT :mm	APPROVED J. F. KANG	 宏揚精密有限公司 HOJAR PRECISION CO., LTD.