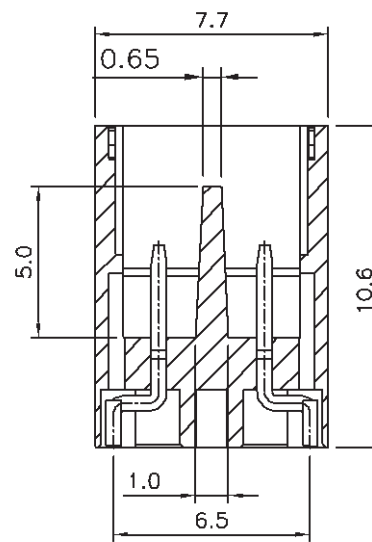


Recommand PCB Layout



Section : B-B

ORDER INFORMATION:

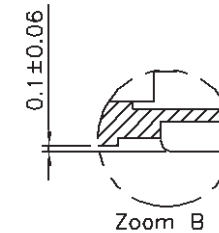
SHWA35027-02-WN-R


■ SPECIFICATIONS

- Voltage Rating : 1,400V AC/DC
- Current Rating : 1A AC/DC.
- Withstanding Voltage : 3,800V AC/minute
- Insulation Resistance : 1,000M Ω min.
- Temperature Range : - 25 $^{\circ}$ C to + 85 $^{\circ}$ C
- Contact Resistance : 20m Ω max.

MATERIAL :

- Material : Contact : Phos. Bronze, Tin plated.
Base : PA9T UL94V-0



GENAL TOLERANCE .X ± 0.3 .XX ± 0.2 .XXX ± 0.1	DATE H. D. LI	PART NO SHWA350027-02-WN-R
	DESIGN H. D. LI	TITLE 3.50mm Crimp Style Connectors Wafer
	CHECKED Y. M. LU	
UNIT :mm	APPROVED J. F. KANG	 宏揚精密有限公司 HOJAR PRECISION CO. : LTD.