

## SPECIFICATIONS

Voltage Rating : 250V AC Maximum

Current Rating : 7A AC,DC

Insulator resistance : 1000 MΩ min

Dielectric Withstanding Voltage : 1500 AC / minute

Operating Temperature : -25°C to +85°C

Contact Resistance : 20 mΩ max.

## MATERIAL :

Terminal Material : Brass, Tin Plated

Material : Nylon 66 UL94V-0

## ORDER INFORMATION:

$$\text{WB396V} - \frac{\text{XX}}{\text{a}} \text{V} - \frac{\text{X}}{\text{b}}$$

a. Pin of numbers:

02 ~ 14

b. Pack :

T : Tube

R : Reel

B : Bag

C : Contron

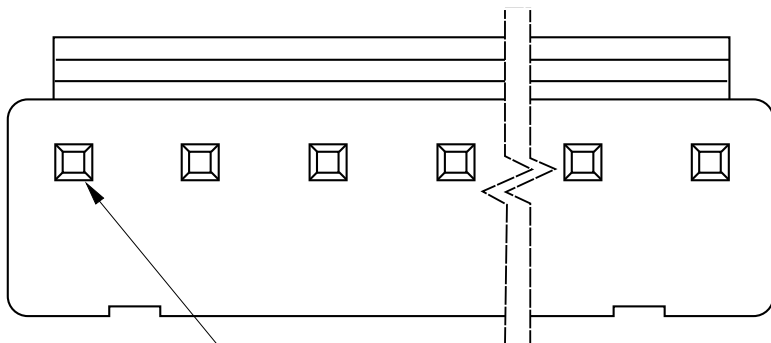
### VERSION & EC DESCRIPTION

DATE	VERSION	PAGE	DESCRIPTION
2005/03/31	A	6-7	Add WB396V-XXV Plan

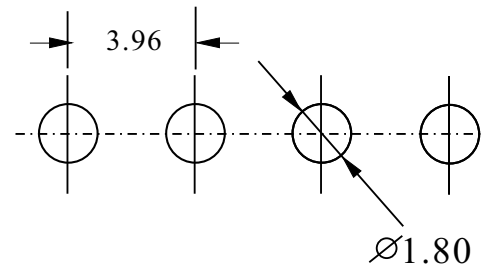
GENERAL TOLERANCE .X ± 0.5 .XX ± 0.1	DRAW DATE	2005/03/31 H. D. LI	PART NO	WB396V - XX V - X
	DESIGN	H. D. LI	TITLE	3.96 Wafer Wire to Board Header DIP 180° Type
	CHECKED	Y. M. LU		
	APPROVED	J. F. KANG		
UNIT :mm				



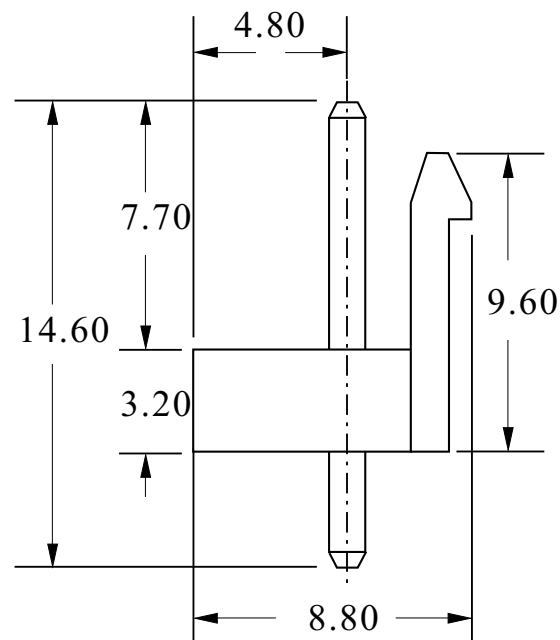
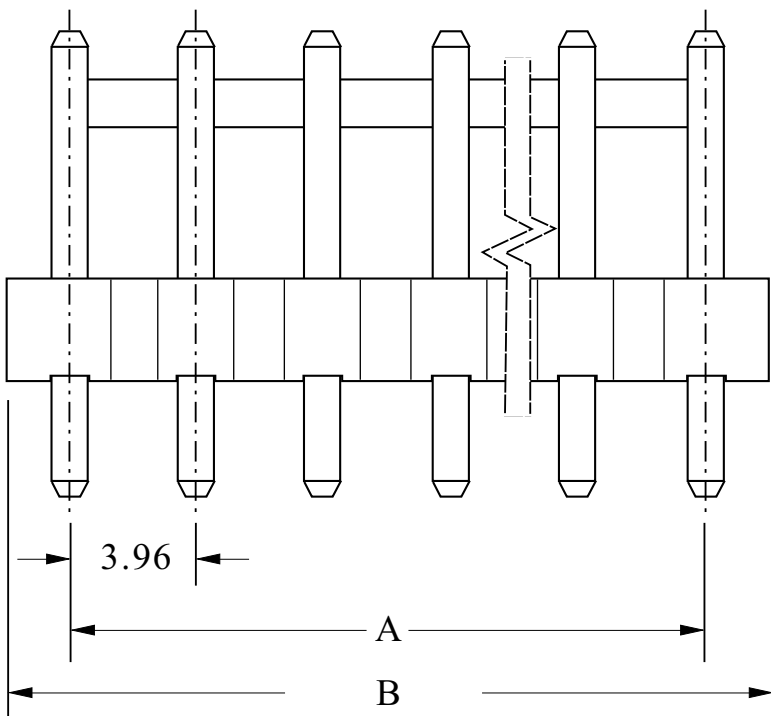
宏揚精密有限公司  
HOJAR PRECISION CO. : LTD.



1.14mm Square Pin



Recommmand PCB Layout



Poles	A	B
2	3.96	7.92
3	7.92	11.92
4	11.88	15.84
5	15.84	19.84
6	19.80	23.80
7	23.76	27.88
8	27.72	31.74
9	31.68	35.86
10	35.64	39.90
11	39.60	43.84
12	43.56	47.92
13	47.52	51.72
14	51.48	55.92

GENERAL TOLERANCE .X ± 0.5 .XX ± 0.1	DRAW DATE	2005/03/31 H. D. LI	PART NO	WB396V - XX V - X
	DESIGN	H. D. LI	TITLE	3.96 Wafer Wire to Board Header DIP 180° Type
	CHECKED	Y. M. LU		
	APPROVED	J. F. KANG		
UNIT :mm				



宏揚精密有限公司  
HOJAR PRECISION CO. : LTD.