

## Specifications

### Electrical

Voltage Rating: 250V(AC)

Current Rating: 5A

Contact Resistance: 20m Ω max.

Dielectric Withstanding Voltage: 1000V AC/1min.

Insulation Resistance: 1000M Ω min.

### Material

Circuits: 2~20

Insulator: Nylon 66 UL 94V-2

Color: Natural

Contact: Brass 1.14mm(0.45 ") Square Wire Pins

Plating: Tin or Gold Plated

Temperature Range: -25 °C~+85 °C

## ORDER INFORMATION:

$$\text{WB508W} - \frac{\text{XX}}{\text{a}} \text{V} - \frac{\text{X}}{\text{b}}$$

a. Pin of numbers:

02 ~ 10

b. Pack :

T : Tube


R : Reel

B : Bag

C : Contron

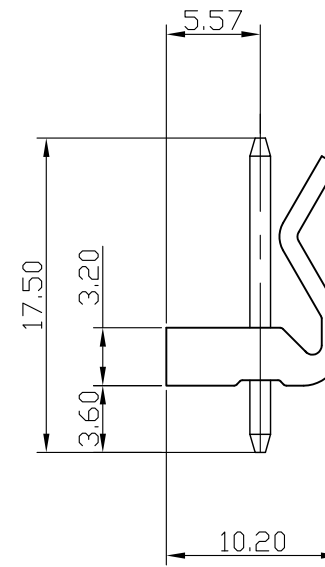
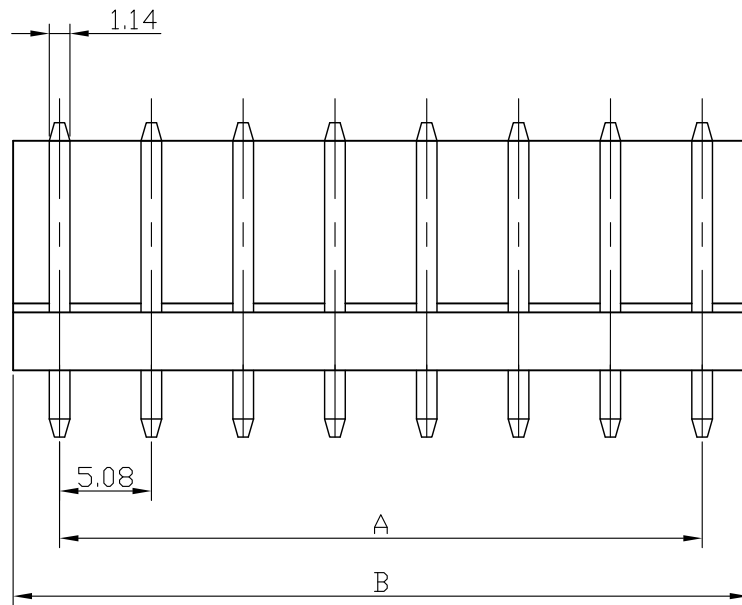
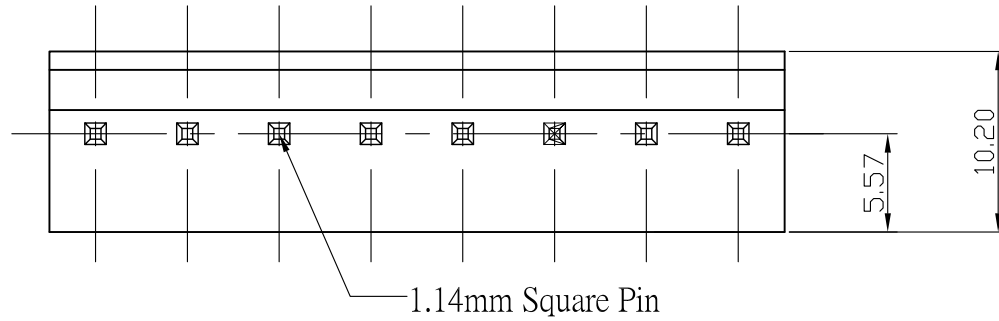
### VERSION & EC DESCRIPTION

DATE	VERSION	PAGE	DESCRIPTION
2004/10/18	A	2-3	Add WB508W-XXV Plan

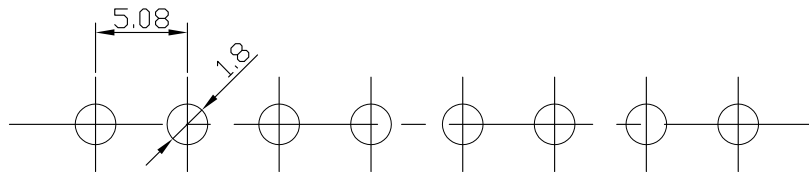
GENERAL TOLERANCE .X ± 0.5 .XX ± 0.1	DRAW DATE	2004/10/18 H. D. LI	PART NO	WB 508W-XXV-X
	DESIGN	H. D. LI	TITLE	5.08 Wafer DIP 180度 Type
	CHECKED	Y. M. LU		
	APPROVED	J. F. KANG		
UNIT :mm				 宏揚精密有限公司 HOJAR PRECISION CO. : LTD.

VERSION


A



Poles	Dimension	
	A	B
2	5.08	10.22
3	10.16	15.30
4	15.24	20.38
5	20.32	25.46
6	25.40	30.54
7	30.48	35.62
8	35.56	40.70
9	40.64	45.78
10	45.72	50.86



RECOMMENDED P.C.BOARD HOLE DIM.

GENAL TOLERANCE .X ± 0.5 .XX ± 0.1	DRAW 2004/10/18 DATE H. D. LI	PART NO WB 508W-XXV-X
	DESIGN H. D. LI	TITLE 5.08 Wafer DIP 180度 Type
	CHECKED Y. M. LU	
	APPROVED J. F. KANG	
UNIT :mm		 宏揚精密有限公司 HOJAR PRECISION CO. : LTD.