

## Specifications

### Electrical

Voltage Rating: 250V(AC)

Current Rating: 5A

Contact Resistance: 20m Ω Max.

Dielectric Withstanding Voltage: 1000V AC/1min.

Insulation Resistance: 1000M Ω min.

### Material

Circuits: 2~20

Insulator: Nylon 66 UL 94V-2

Color: Natural

Contact: Brass 1.14mm(0.45 ") Square Wire Pins

Plating: Tin or Gold Plated

Temperature Range: -25 °C~+85 °C

## ORDER INFORMATION:


WB508W -  $\frac{XXH}{a}$  -  $\frac{X}{b}$

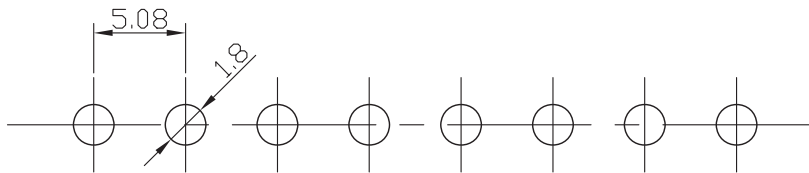
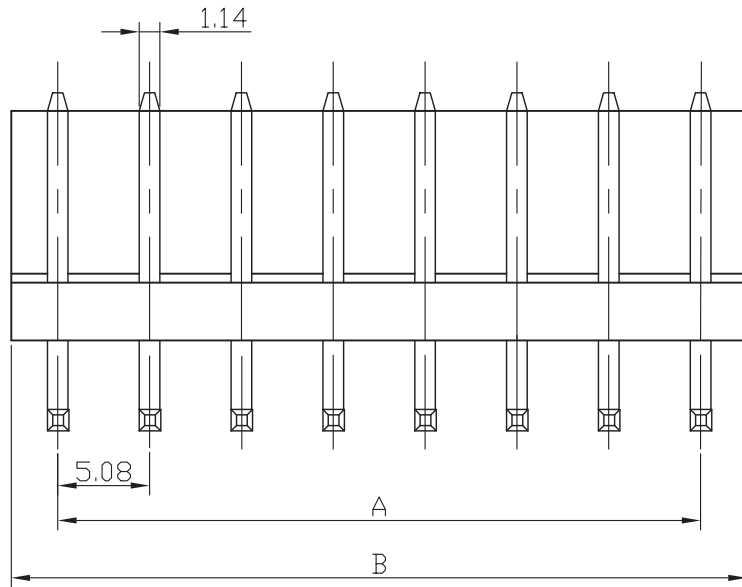
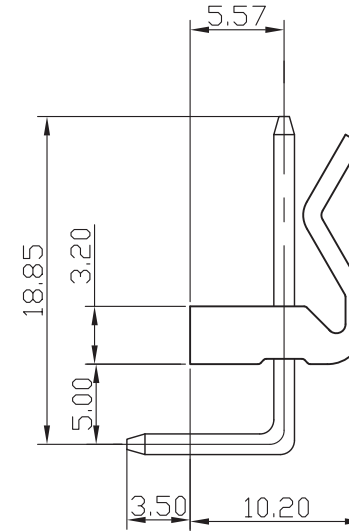
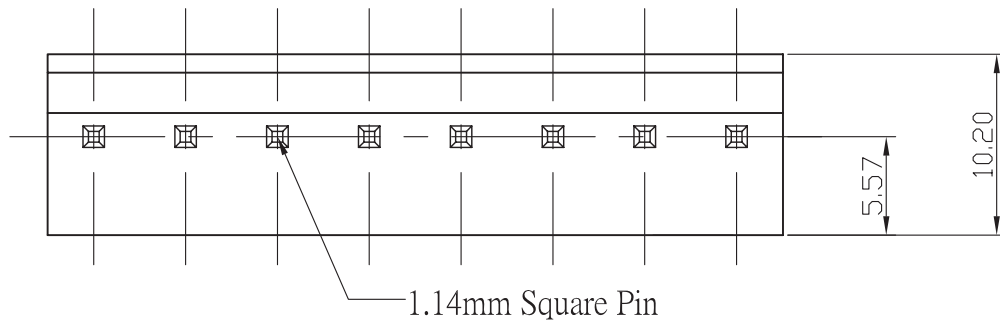
a. Pin of numbers:

02 ~ 10

b. Pack :


B : Bag

GENERAL TOLERANCE .X ± 0.5 .XX ± 0.1	DRAW DATE 2004/10/18 H. D. LI	PART NO WB 508W-XXH-X
	DESIGN H. D. LI	TITLE 5.08 Wafer DIP 90度 Type
	CHECKED Y. M. LU	
UNIT :mm	APPROVED J. F. KANG	 宏揚精密有限公司 HOJAR PRECISION CO., LTD.



RECOMMENDED P.C.BOARD HOLE DIM.

Poles	Dimension	
	A	B
2	5.08	10.22
3	10.16	15.30
4	15.24	20.38
5	20.32	25.46
6	25.40	30.54
7	30.48	35.62
8	35.56	40.70
9	40.64	45.78
10	45.72	50.86

GENERAL TOLERANCE .X ± 0.5 .XX ± 0.1	DRAW DATE 2004/10/18 H. D. LI	PART NO WB 508W-XXH-X
	DESIGN H. D. LI	TITLE 5.08 Wafer DIP 90度 Type
	CHECKED Y. M. LU	
UNIT :mm	APPROVED J. F. KANG	 宏揚精密有限公司 HOJAR PRECISION CO., LTD.