

SPECIFICATIONS

Voltage rating: 100V AC,DC

Current rating: 1A AC , DC


Withstanding Voltage: 500V AC/minute

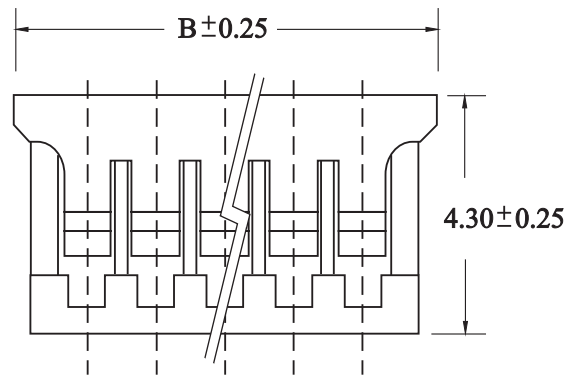
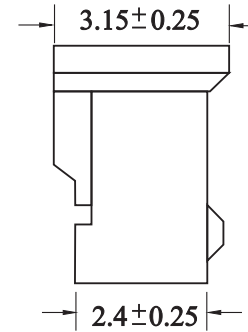
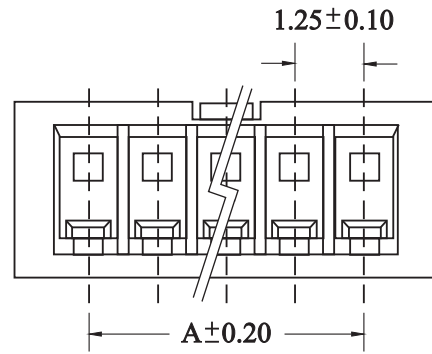
Insulation resistance: 100 M Ω minTemperature range: -25 $^{\circ}$ C ~ +85 $^{\circ}$ CContact resistance: 20m Ω max.**ORDER INFORMATION:**HS125 - $\frac{XX}{a}$ 1a. Pin of numbers:
02 ~ 15**MATERIAL :**

Housing : Nylon 66 UL94V-0


VERSION & EC DESCRIPTION

DATE	VERSION	PAGE	DESCRIPTION
2005/01/05	A	2-3	Add HS125-XX1Series Plan

GENERAL TOLERANCE X. \pm .X \pm .XX \pm .XXX \pm	DRAW DATE 2005/01/05 H. D. LI	PART NO HS125-XX1
	DESIGN H. D. LI	TITLE Single Row Housing Pitch 1.25mm H=4.30mm
	CHECKED Y. M. LU	
UNIT :mm	APPROVED J. F. KANG	 宏揚精密有限公司 HOJAR PRECISION CO., LTD.



No. of Contacts	DIMENSIONS	
	A	B
2	1.25	3.95
3	2.50	5.20
4	3.75	6.45
5	5.00	7.70
6	6.25	8.95
7	7.50	10.20
8	8.75	11.45
9	10.00	12.70
10	11.25	13.95
11	12.50	15.20
12	13.75	16.45
13	15.00	17.70
14	16.25	18.95
15	17.50	20.20

GENAL TOLERANCE X. ± 0.3 .X ± 0.2 .XX ± 0.15 .XXX ± 0.10	DRAW 2005/01/05 DATE H. D. LI	PART NO HS125-XX1
	DESIGN H. D. LI	TITLE Single Row Housing Pitch 1.25mm H=4.30mm
	CHECKED Y. M. LU	
UNIT :mm	APPROVED J. F. KANG	 宏揚精密有限公司 HOJAR PRECISION CO., LTD.