

MATERIAL :
 INSULATOR :NYLON-66(UL94V-2)
 CONTACT : BRASS

FINISH : TIN PLATED BRASS

ORDER INFORMATION:


P4.2W - $\frac{XX}{a}$ 1 - 0 1 - W

a. Pin of numbers:

2、4、6、8、10、12、
 14、16、18、20、22、24

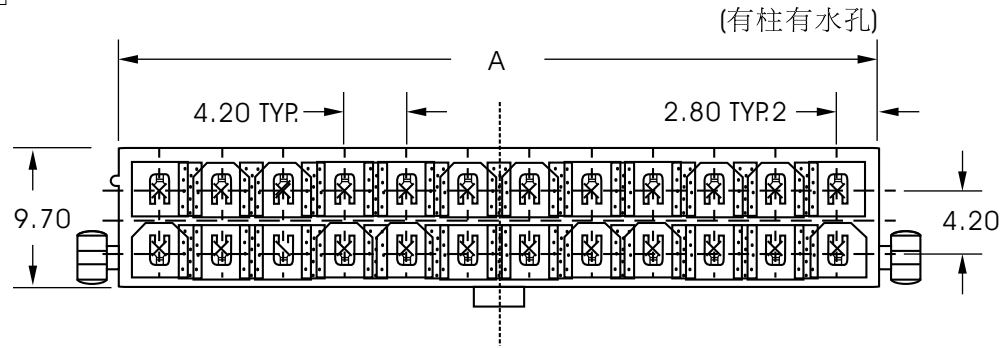
VERSION & EC DESCRIPTION

DATE	VERSION	PAGE	DESCRIPTION
2004/11/17	A	8-9	Add P4.2W - XX1 - 01 - W Plan

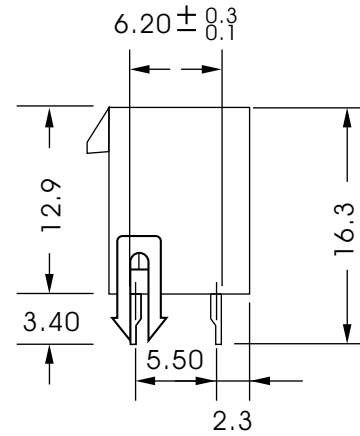
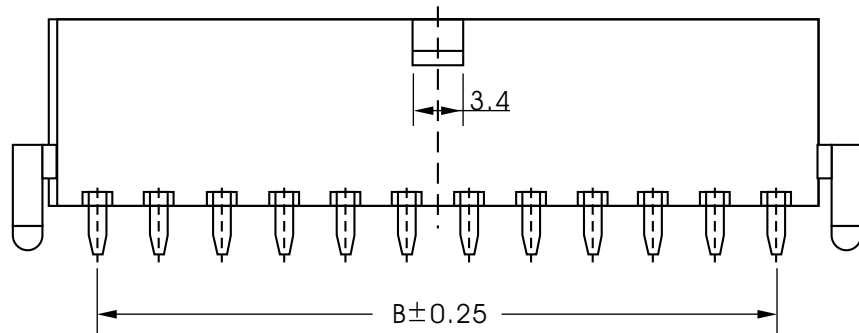
GENAL TOLERANCE .X ± 0.30 .XX ± 0.10	DRAW 2004/11/17	PART NO P4.2W - XX 1 - 01 - W
	DATE H. D. LI	
	DESIGN H. D. LI	TITLE MINI FIT CONN. 4.2mm PITCH DIP 180°
	CHECKED Y. M. LU	
	APPROVED J. F. KANG	
UNIT :mm		 宏揚精密有限公司 HOJAR PRECISION CO. : LTD.

VERSION

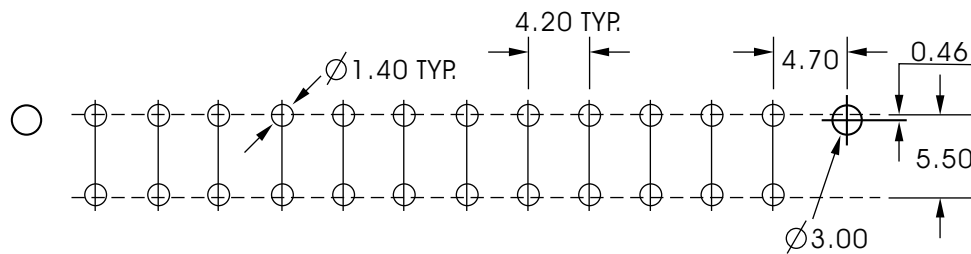
A




Part NO	Dimension		Part NO	Dimension	
	A	B		A	B
02	5.6		14	30.8	25.20
04	9.8	4.20	16	35.0	29.40
05	13.9	8.40	18	39.2	33.60
08	18.1	12.60	20	43.7	37.80
10	22.4	16.80	22	47.6	42.00
12	26.7	21.00	24	51.8	46.20



檢驗方式·成品直接試插，治具不能有阻礙



PCB LAYOUT

GENERAL TOLERANCE .X ± 0.30 .XX ± 0.10	DRAW 2004/11/17	PART NO P4.2W - XX 1 - 01 - W
	DATE H. D. LI	
	DESIGN H. D. LI	TITLE MINI FIT CONN. 4.2mm PITCH DIP 180°
	CHECKED Y. M. LU	 宏揚精密有限公司 HOJAR PRECISION CO., LTD.
UNIT :mm	APPROVED J. F. KANG	