

MATERIAL :

HOUSING : NYLON-66

CONTACT : Brass

CONTACT PLATING : TIN - LEAD 90/10 FOR ALL.

ORDER INFORMATION:

P4.2R - $\frac{XX\ 1 - 0\ 1 - W}{a}$


a. Pin of numbers:

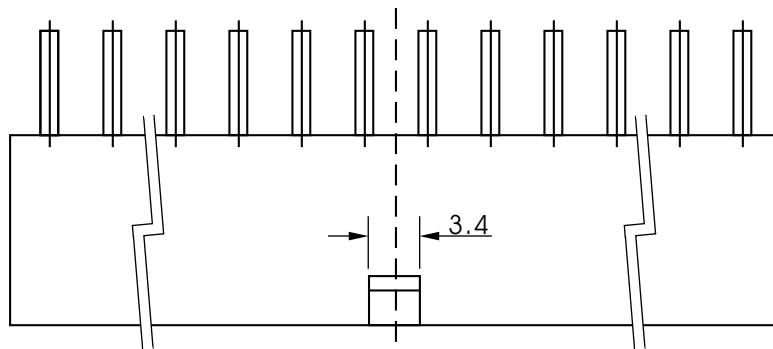
2、4、6、8、10、12、

14、16、18、20、22、24

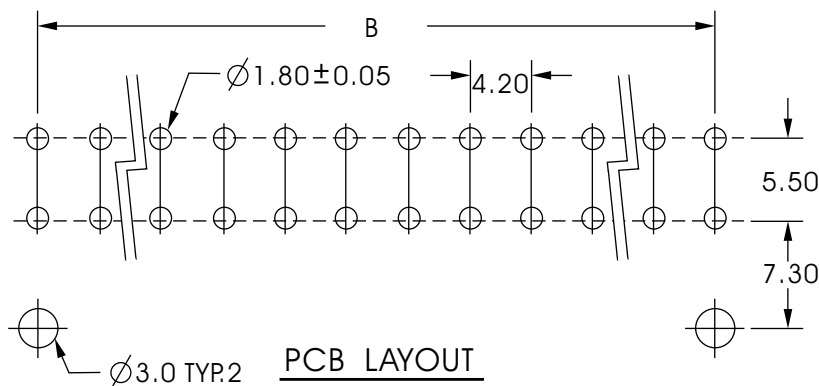
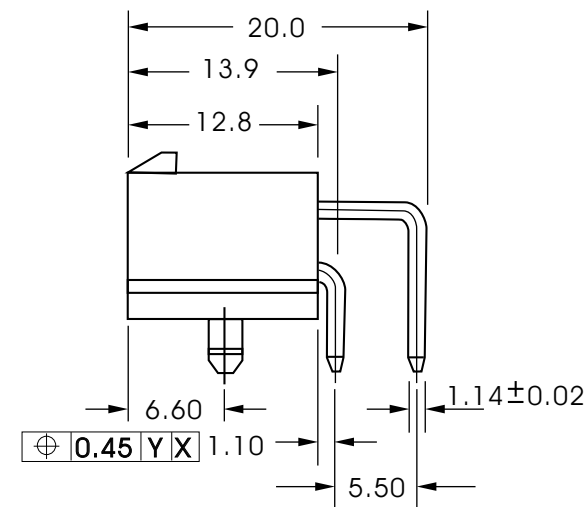
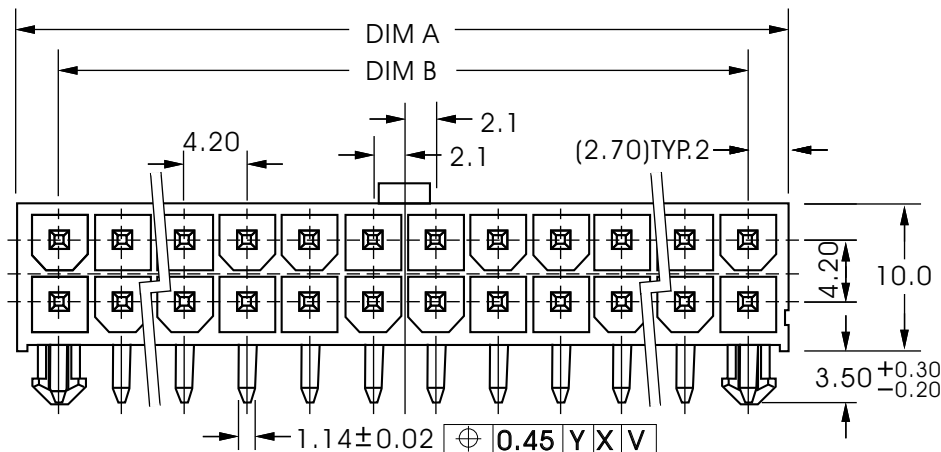
VERSION & EC DESCRIPTION

DATE	VERSION	PAGE	DESCRIPTION
2004/11/17	A	12-13	Add P4.2R - XX1 - 01 - W Plan

GENERAL TOLERANCE .X ± 0.35 .XX ± 0.10	DRAW DATE	2004/11/17 H. D. LI	PART NO	P4.2R - XX 1 - 01 - W
	DESIGN	H. D. LI	TITLE	MINI FIT CONN. R/A TYPE 4.2mm PITCH
	CHECKED	Y. M. LU	 宏揚精密有限公司 HOJAR PRECISION CO. : LTD.	
UNIT :mm	APPROVED	J. F. KANG		



Part NO	Dimension		Part NO	Dimension	
	A	B		A	B
02	5.4		14	30.8	25.20
04	9.6	4.20	16	35.0	29.40
05	13.9	8.40	18	39.2	33.60
08	18.1	12.60	20	43.4	37.80
10	22.3	16.80	22	47.6	42.00
12	26.5	21.00	24	51.8	46.20



GENERAL TOLERANCE .X ± 0.35 .XX ± 0.10	DRAW DATE	2004/11/17 H. D. LI	PART NO	P4.2R - XX 1 - 01 - W
	DESIGN	H. D. LI	TITLE	MINI FIT CONN. R/A TYPE 4.2mm PITCH
	CHECKED	Y. M. LU		
	APPROVED	J. F. KANG		
UNIT :mm				

