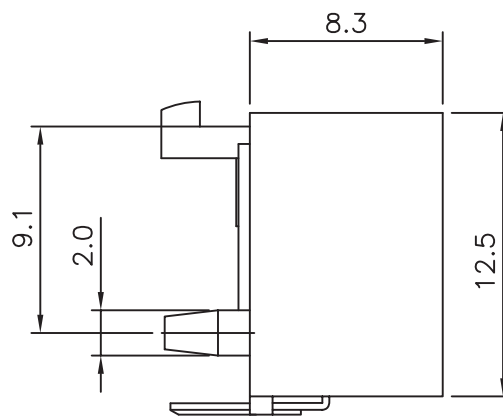
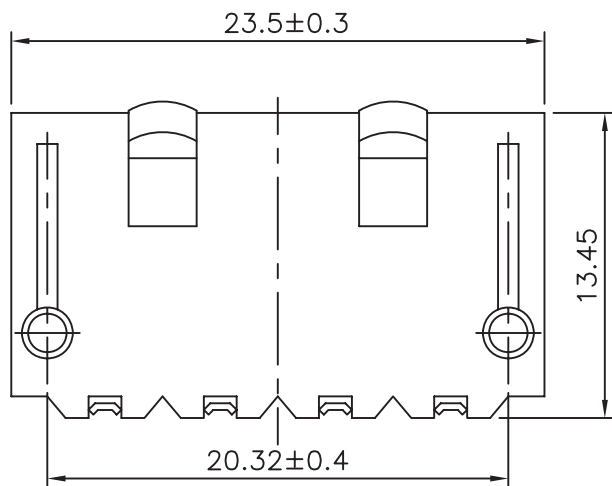


RECOMMEND PCB LAYOUT




■ SPECIFICATIONS

- Voltage Rating : 250V AC/DC
- Current Rating : 7A AC/DC
- Withstanding Voltage : 1,500V AC/minute
- Insulation Resistance : 1,000M Ω min
- Temperature Range : - 25 $^{\circ}$ C to + 85 $^{\circ}$ C
- Contact Resistance : 20m Ω max

■ WAFER

- Material : Contact : Brass, Tin Plated
Base : Nylon 66 UL94V- 0
- Q' ty : 1,000 pcs./Bag

GENAL TOLERANCE .X \pm 0.30 .XX \pm 0.20 .XXX \pm 0.10	DRAW H. D. LI	PART NO P5.08R027-04-WN-B
	DESIGN H. D. LI	TITLE 5.08mm Power Connector 大4P 公座 90度
	CHECKED Y. M. LU	
UNIT :mm	APPROVED J. F. KANG	
		 宏揚精密有限公司 HOJAR PRECISION CO., LTD.