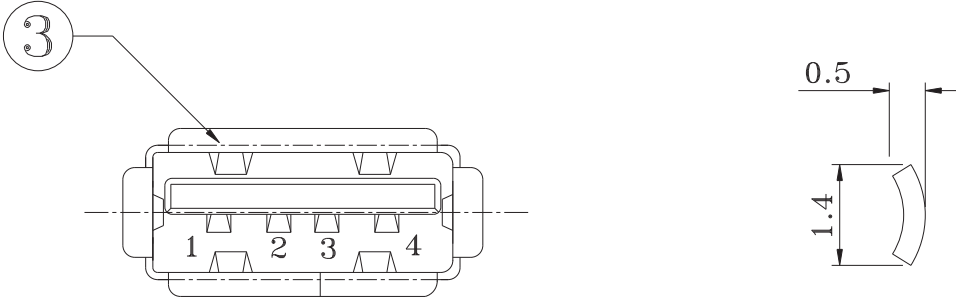


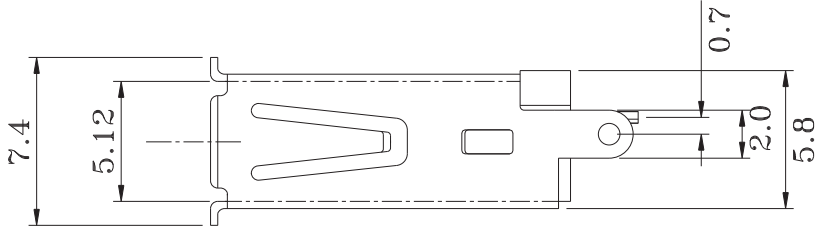
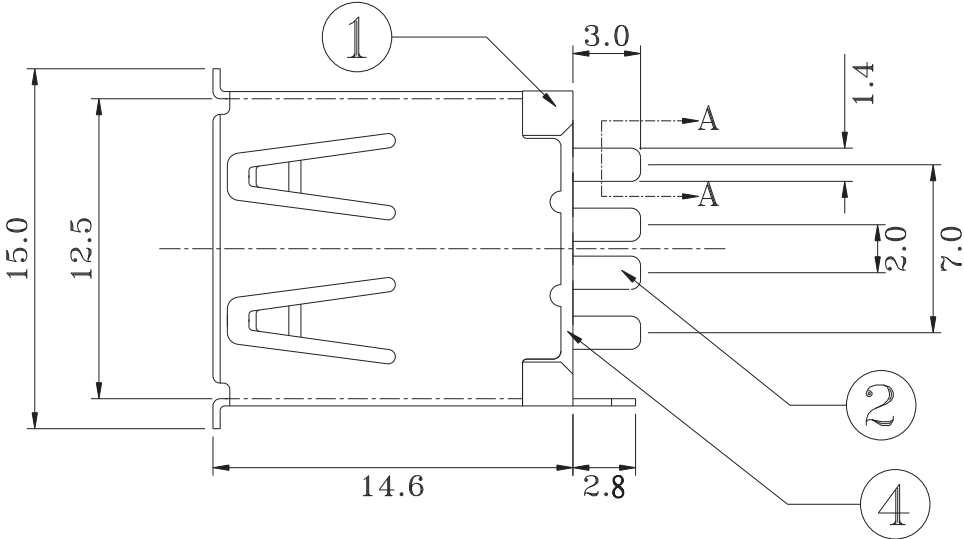
ORDER INFORMATION:

USBA1 - 04V - $\frac{X}{a}$ - $\frac{X}{b}$ $\frac{X}{c}$ - $\frac{X}{d}$

- a. Plated selection :
 - 1 : Gold Flash
 - 2 : Gold 30u"
- b. Plastic Color :
 - B : Black
 - W : White
- c. Plastic material :
 - P : P.B.T (standard)
 - N : Nylon 9T
- d. Pack selection:
 - D : Disk Pack



A-A (SCALE 9:1 4X)



NO.	NAME	MATERIAL	FINISH	REMARK	Q'TY
1	HOUSING	P.B.T. G.F.	WHITE		1
2	PIN TERM.	PHOS. BRONZE T:0.25	GOLD/TIN PLATED	Gold:1-3u";Ni40-60u";TIN:120u" (100% pure Tin of lead free plating)	4
3	SHELL	BRASS T:0.3	NICKEL PLATED	NI:2~3u	1
4	BOTTOM COVER	P.B.T. G.F.	WHITE		1

GENAL TOLERANCE ± 0.30	DATE H. D. LI	PART NO USBA1-04V-X-XX-X
	DESIGN H. D. LI	TITLE USB TYPE A 180度 DIP
	CHECKED Y. M. LU	
UNIT :mm	APPROVED J. F. KANG	宏揚精密有限公司 HOJAR PRECISION CO., LTD.