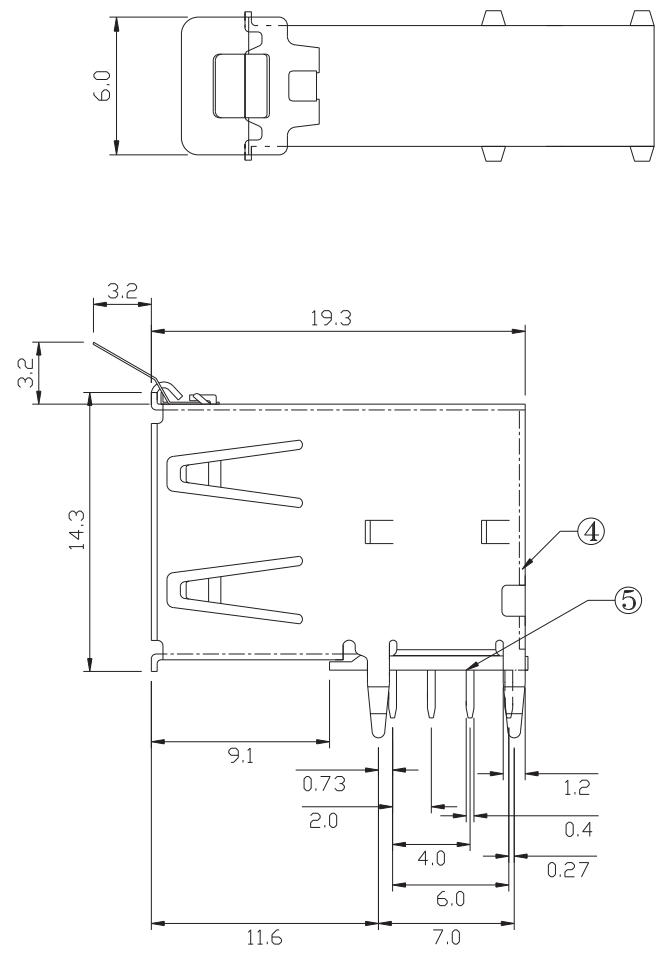
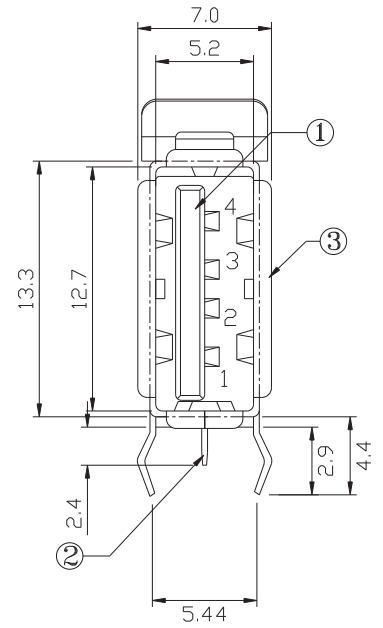


PCB LAYOUT
(BOTTOM VIEW)



ORDER INFORMATION:

USBA1 - 041 U- $\frac{X}{a}$ - S - $\frac{X}{b}$ $\frac{X}{c}$ - $\frac{X}{d}$

- a. Plated selection :
1 : Gold Flash
2 : Gold 30u"
- b. Plastic Color :
B : Black
W : White
- c. Plastic material :
P : P.B.T (standard)
N : Nylon 9T
- d. Pack selection:
D : Disk Pack

NO.	NAME	MATERIAL	FINISH	REMARK	Q'TY
1	HOUSING	P.B.T. G.F.	WHITE		1
2	PIN TERM.	PHOS. BRONZE T:0.25	GOLD/TIN PLATED	Gold:1-3u"; NI:40-60u"; TIN:120u" (100% pure Tin of lead free plating)	4
3	SHELL	BRASS T:0.3	NICKEL PLATED	NI:80-120u"	1
4	SHELL	SPCC T:0.3	NICKEL PLATED	NI:80-120u"	1
5	BOTTOM COVER	P.B.T. G.F.	WHITE		1
6	SPRING SHIELD	STAINLESS	T:0.1		1

GENAL TOLERANCE ± 0.30	DATE H. D. LI	PART NO USBA1-041U-X-S-XX-X
	DESIGN H. D. LI	TITLE USB TYPE A UPRHGT 90度 DIP
	CHECKED Y. M. LU	
UNIT :mm	APPROVED J. F. KANG	宏揚精密有限公司 HOJAR PRECISION CO., LTD.