

ORDER INFORMATION:

USBA1 - 042R - $\frac{X}{a}$ - $\frac{XX}{b}$ - $\frac{X}{c}$ - $\frac{X}{d}$

Specification:

Contact Resistance: 30m Ohm Max.

Insulation Resistance: 1000M Ohm Min. At 500VDC.

Rated Voltage And Current: 1.5A At 250VAC Minimum.

Dielectric Withstanding Voltage:

750V AC(ms) for 1 Minute(Rev.1.1)

500V AC(ms) for 1 Minute(Rev.2.0)

Durability(Life Test): 1500 Cycles

Insertion Force: 35 Newton Maximum.

Extraction Force: 10 Newton Minimum.

a. Plated selection :

1 : Gold Flash

2 : Gold 30u"

b. Plastic Color :

B : Black

W: White

c. Plastic material :

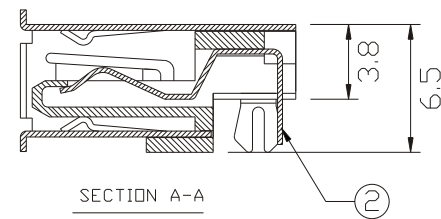
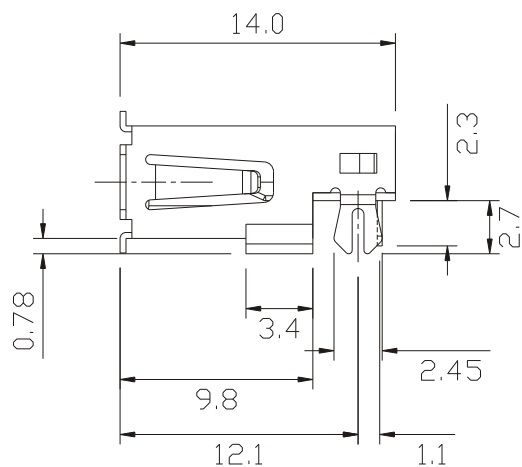
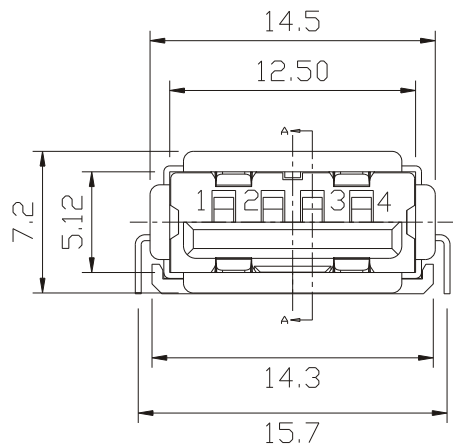
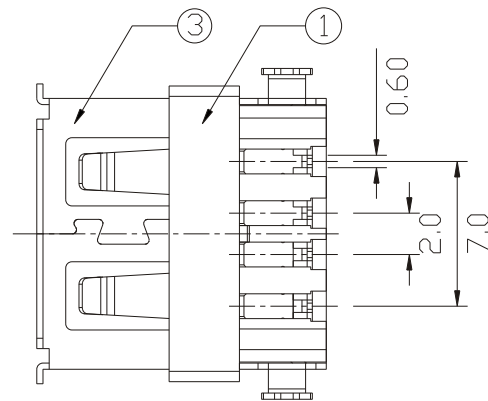
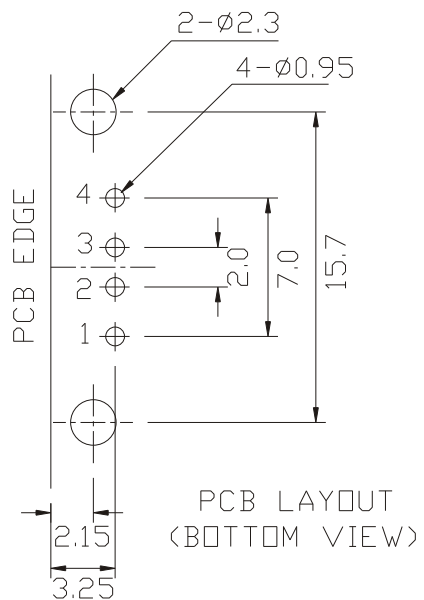
P : P.B.T (standard)

N : Nylon 9T

d. Pack selection:

D : Disk Pack

GENAL TOLERANCE	DATE	PART NO
X. ± 0.38	H. D. LI	USBA1-042R-X-XX-X
.X ± 0.25	DESIGN	TITLE
.XX ± 0.13	H. D. LI	USB A REVERSE FLAT 4PIN DIP
.XXX ± 0.05	CHECKED	
	Y. M. LU	
	APPROVED	
UNIT :mm	J. F. KANG	 宏揚精密有限公司 HOJAR PRECISION CO., LTD.



NO.	NAME	MATERIAL	FINISH	Q'TY	REMARK
1	HOUSING	PBT G.F.	WHITE	1	
2	TERMINAL	PHOS. BRONZE T:0.25	GOLD/TIN PLATED	4	Gold:1~3 μ" ; Ni:40~60 μ" ; TIN:120 μ" (100% pure Tin of lead free plating)
3	SHELL	BRASS T:0.3	NICKEL PLATED	1	Ni:80~120 μ"

GENERAL TOLERANCE X. ±0.38 .X ±0.25 .XX ±0.13 .XXX ±0.05	DATE	H. D. LI	PART NO	USBA1-042R-X-XX-X
	DESIGN	H. D. LI	TITLE	USB A REVERSE FLAT 4PIN DIP
	CHECKED	Y. M. LU		
	APPROVED	J. F. KANG		
UNIT :mm				