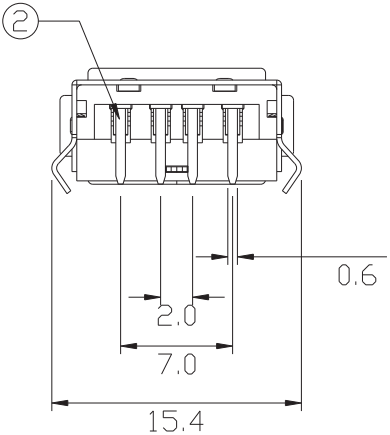
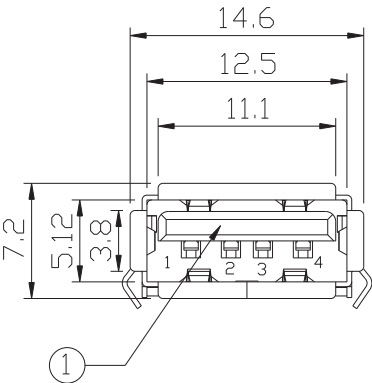
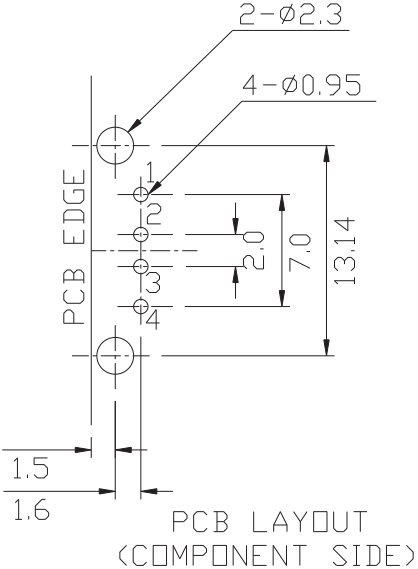
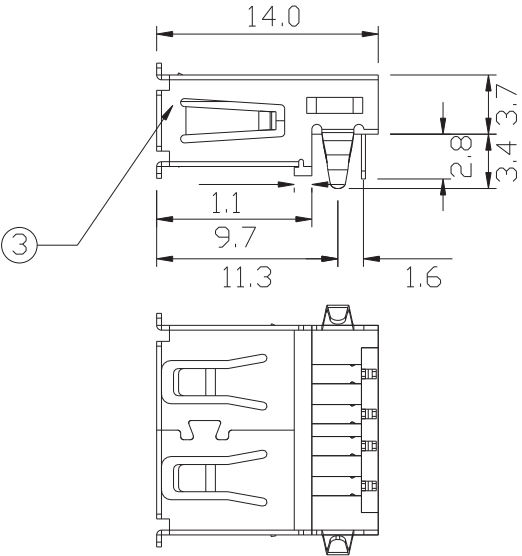
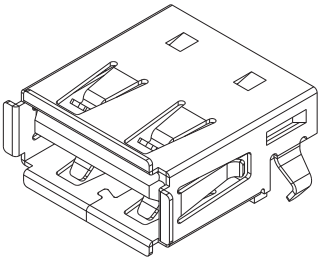
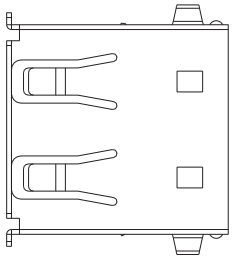


ORDER INFORMATION:

USBA1 - 042 -  $\frac{X}{a}$  - K -  $\frac{XX}{b}$  -  $\frac{X}{c}$  -  $\frac{X}{d}$

- a. Plated selection :
  - 1 : Gold Flash
  - 2 : Gold 30u"
- b. Plastic Color :
  - B : Black
  - W: White
- c. Plastic material :
  - P : P.B.T (standard)
  - N : Nylon 9T
- d. Pack selection:
  - D : Disk Pack



NO.	NAME	MATERIAL	FINISH	REMARK	QTY
1	HOUSING	PBT G.F.	BLACK		1
2	PIN TERM.	PHOS. BRONZE T:0.25	GOLD/TIN PLATED	Gold:1~3 <u>u</u> " ; NI:40~60 <u>u</u> " ; TIN:120 <u>u</u> " (100% pure Tin of lead free plating)	4
3	SHELL	BRASS T:0.3	NICKEL PLATED	NI:80~120 <u>u</u> "	1

GENAL TOLERANCE ± 0.30	DATE H. D. LI	PART NO USBA1-042-X-K-XX-X
	DESIGN H. D. LI	TITLE USB TYPE A FLAT 90度 DIP
	CHECKED Y. M. LU	
UNIT :mm	APPROVED J. F. KANG	宏揚精密有限公司 HOJAR PRECISION CO., LTD.