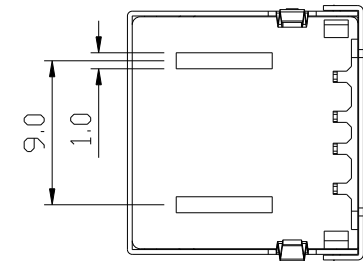
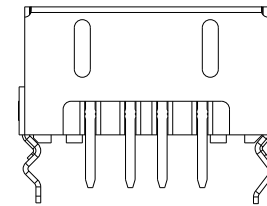
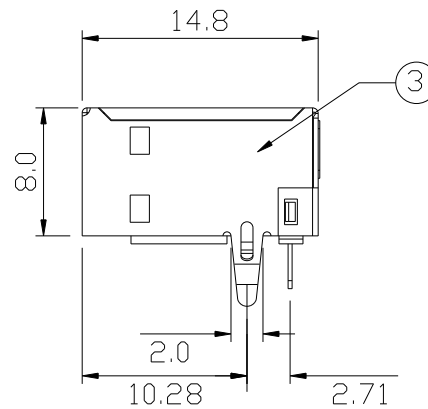
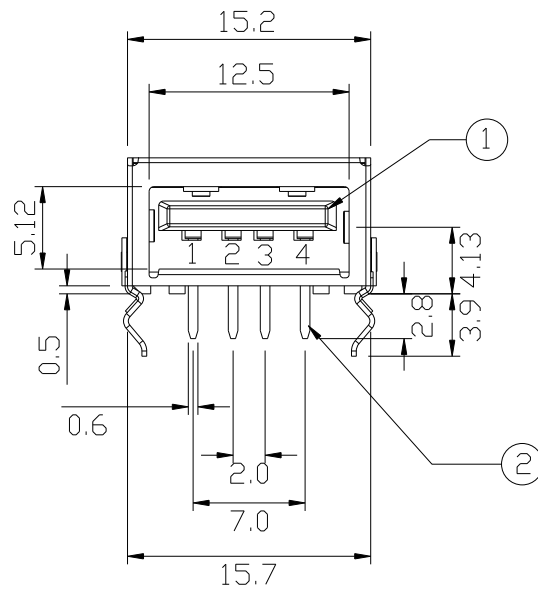


ORDER INFORMATION:

USBA1 - 043 - $\frac{X}{a}$ - $\frac{XX}{b}$ - $\frac{X}{c}$ - $\frac{X}{d}$

- a. Plated selection :
 - 1 : Gold Flash
 - 2 : Gold 30u"
- b. Plastic Color :
 - B : Black
 - W : White
- c. Plastic material :
 - P : P.B.T (standard)
 - N : Nylon 9T
- d. Pack selection:
 - D : Disk Pack

PCB LAYOUT
(BOTTOM VIEW)



NO.	NAME	MATERIAL	FINISH	REMARK	QTY
1	HOUSING	PBT G.F.	BLACK		1
2	PIN TERM.	PHOS. BRONZE T:0.25	GOLD/TIN PLATED	Gold:1~3 <u>u</u> " ; NI:40~60 <u>u</u> " ; TIN:120 <u>u</u> " (100% pure Tin of lead free plating)	4
3	SHELL	BRASS T:0.3	NICKEL PLATED	NI:80~120 <u>u</u> "	1

GENERAL TOLERANCE	DATE	PART NO
	± 0.3	H. D. LI
	DESIGN	TITLE
	H. D. LI	USB TYPE A FLAT 90度 DIP
	CHECKED	
	Y. M. LU	
	APPROVED	
	J. F. KANG	
UNIT :mm		 宏揚精密有限公司 HOJAR PRECISION CO., LTD.