

ORDER INFORMATION:

SUSBA1 - 043 - $\frac{X}{a}$ - $\frac{X}{b}$ $\frac{X}{c}$ - $\frac{X}{d}$

a. Plated selection :

- 1 : Gold Flash
- 2 : Gold 30u"

b. Plastic Color :

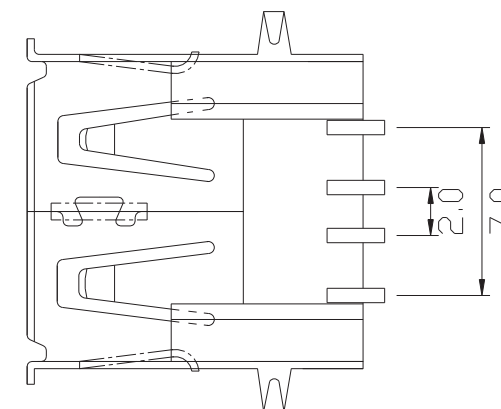
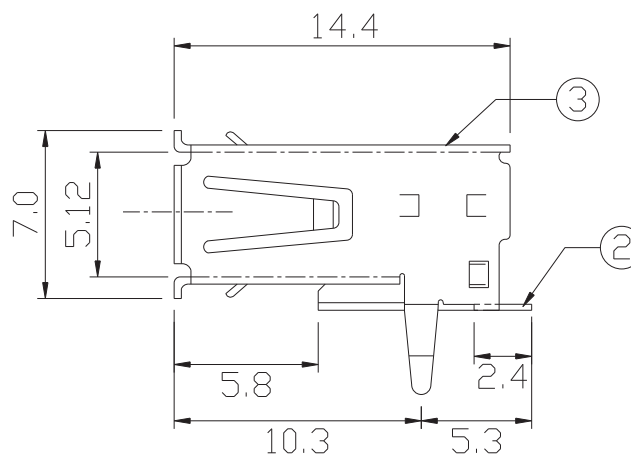
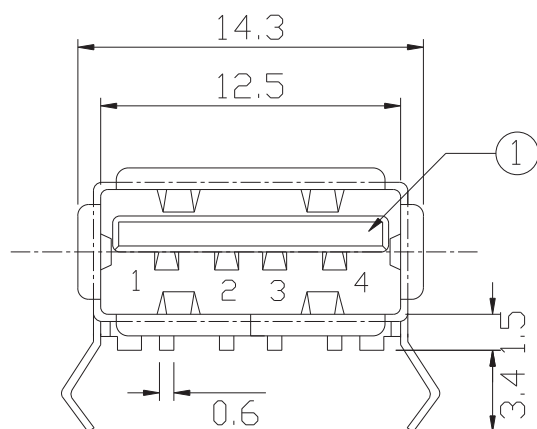
- B : Black
- W : White

c. Plastic material :


- P : P.B.T
- N : Nylon 9T (standard)

d. Pack selection:

- D : Disk Pack



NO.	NAME	MATERIAL	FINISH	REMARK	QTY
1	HOUSING	NYLON PA9T G.F.	BLACK		1
2	PIN TERM.	PHOS. BRONZE T:0.25	GOLD/TIN PLATED	Gold:1-3 μ " ; Ni:40-60 μ " ; TIN:120 μ " (100% pure Tin of lead free plating)	4
3	SHELL	BRASS T:0.3	NICKEL PLATED	NI:80~120 μ "	1

GENAL TOLERANCE ± 0.30	DATE H. D. LI	PART NO SUSBA1-043-X-XX-X
	DESIGN H. D. LI	TITLE USB TYPE A FLAT 90度 SMT
	CHECKED Y. M. LU	
UNIT :mm	APPROVED J. F. KANG	 宏揚精密有限公司 HOJAR PRECISION CO., LTD.