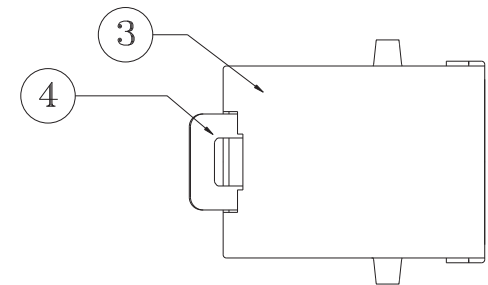
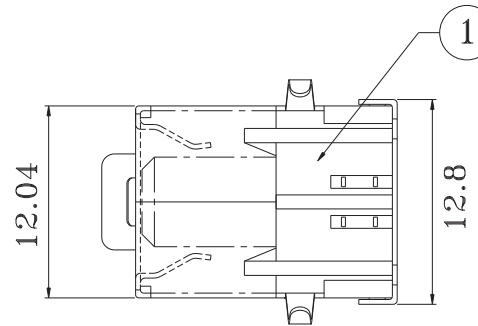
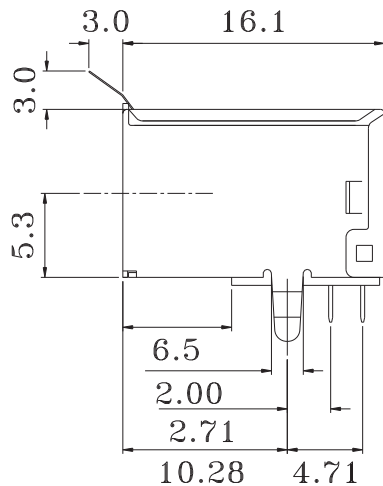
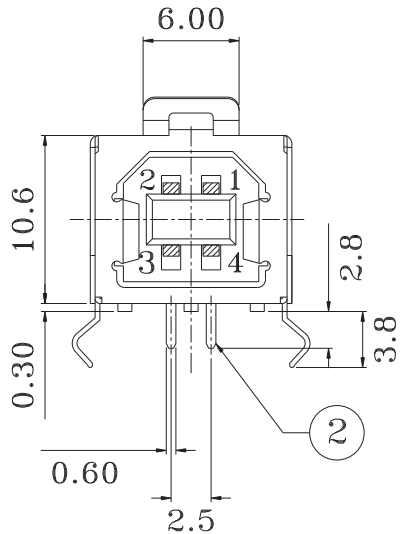


(COMPONENT SIDE)
PCB LAYOUT

ORDER INFORMATION:

USBB1 - 041 - $\frac{X}{a}$ - S - $\frac{X}{b} \frac{X}{c}$ - $\frac{X}{d}$

- a. Plated selection :
 - 1 : Gold Flash
 - 2 : Gold 30u"
- b. Plastic Color :
 - B : Black
 - W : White
- c. Plastic material :
 - P : P.B.T (standard)
 - N : Nylon 9T
- d. Pack selection:
 - D : Disk Pack



| NO. | NAME | MATERIAL | FINISH | REMARK | Q'TY |
|-----|---------------|---------------------|-----------------|--|------|
| 1 | HOUSING | P.B.T. G.F. | BLACK | | 1 |
| 2 | PIN TERM. | PHOS. BRONZE T:0.25 | GOLD/TIN PLATED | Gold:1~3"; NI:40~60u"; TIN:120u" (100% pure Tin of lead free plating) | 4 |
| 3 | SHELL | BRASS T:0.3 | NICKEL PLATED | NI:80~120u" | 1 |
| 4 | SPRING SHIELD | STAINLESS | THK:0.1 | | 1 |

| | | |
|---------------------------|------------------------|--|
| GENAL TOLERANCE ± 0.30 | DATE H. D. LI | PART NO USBB1-041-X-S-XX-X |
| | DESIGN H. D. LI | TITLE USB TYPE B WITH SPRING FLAT 90度 DIP |
| | CHECKED Y. M. LU | |
| UNIT :mm | APPROVED J. F. KANG | 宏揚精密有限公司 HOJAR PRECISION CO., LTD. |