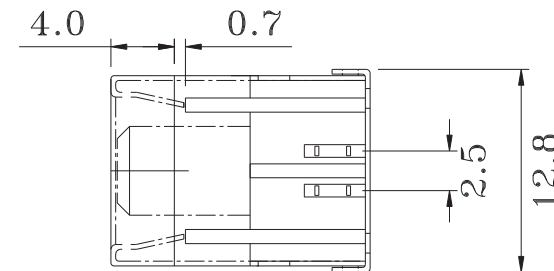
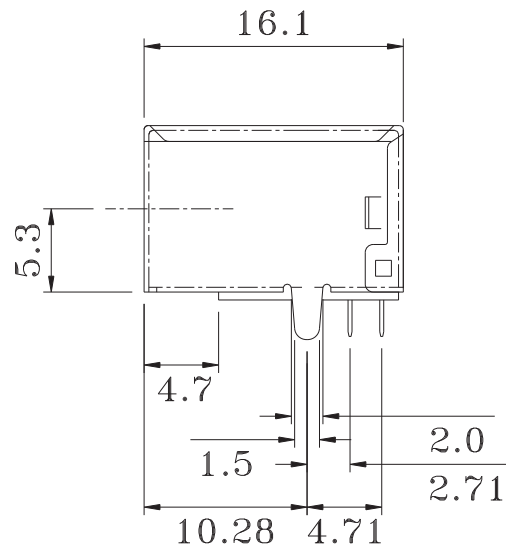
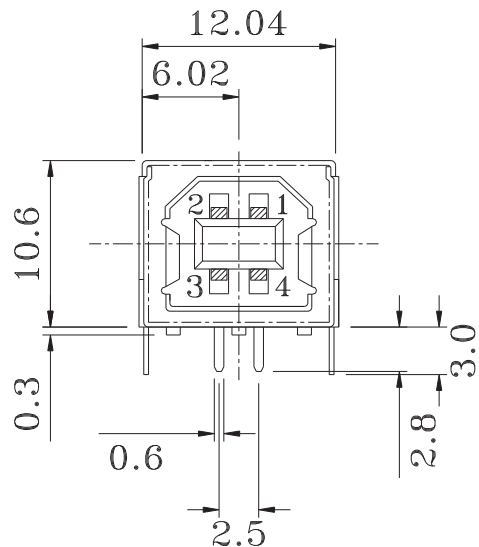


(COMPONENT SIDE)  
PCB LAYOUT




ORDER INFORMATION:

USBB1 - 041 -  $\frac{X}{a}$  - V -  $\frac{X}{b}$   $\frac{X}{c}$  -  $\frac{X}{d}$

- a. Plated selection :
  - 1 : Gold Flash
  - 2 : Gold 30u"
- b. Plastic Color :
  - B : Black
  - W : White
- c. Plastic material :
  - P : P.B.T (standard)
  - N : Nylon 9T
- d. Pack selection:
  - D : Disk Pack

| NO. | NAME      | MATERIAL            | FINISH          | REMARK  | Q'TY |
|-----|-----------|---------------------|-----------------|---|------|
| 1   | HOUSING   | P.B.T. G.F.         | WHITE           |   | 1    |
| 2   | PIN TERM. | PHOS. BRONZE T:0.25 | GOLD/TIN PLATED | Gold:1~3u" ; NI:40~60 u" ; TIN:120u" (100% pure Tin of lead free plating) | 4    |
| 3   | SHELL     | BRASS T:0.3         | NICKEL PLATED   | NI:80~120u"   | 1    |

|                           |                        |   |
|---------------------------|------------------------|---|
| GENAL TOLERANCE<br>± 0.30 | DATE<br>H. D. LI       | PART NO<br>USBB1-041-X-V-XX-X   |
|                           | DESIGN<br>H. D. LI     | TITLE<br>USB TYPE B FLAT 90度 DIP  |
|                           | CHECKED<br>Y. M. LU    |   |
| UNIT :mm                  | APPROVED<br>J. F. KANG |  宏揚精密有限公司<br>HOJAR PRECISION CO., LTD. |