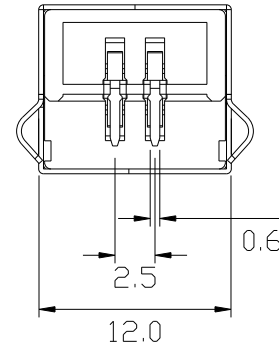
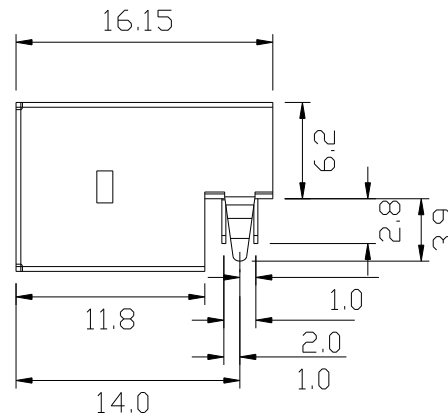
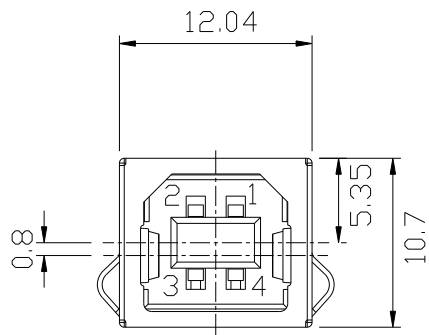
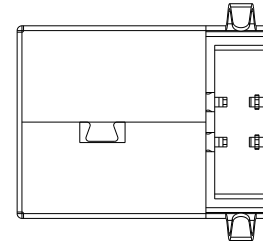
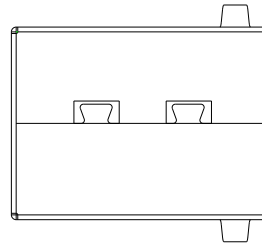
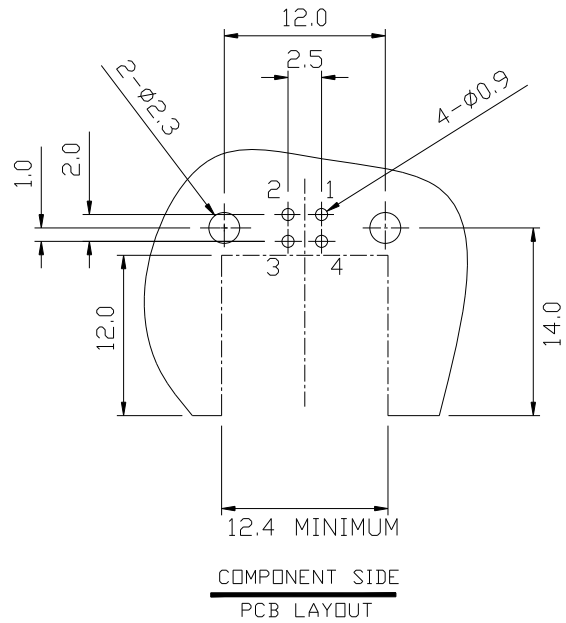



# ORDER INFORMATION:

USBB1 - 043 -  $\frac{X}{a}$  -  $\frac{XX}{b}$  -  $\frac{X}{c}$  -  $\frac{X}{d}$

- a. Plated selection :
  - 1 : Gold Flash
  - 2 : Gold 30u"
- b. Plastic Color :
  - B : Black
  - W: White
- c. Plastic material :
  - P : P.B.T (standard)
  - N : Nylon 9T
- d. Pack selection:
  - D : Disk Pack



NO.	NAME	MATERIAL	FINISH	REMARK	Q'TY
1	HOUSING	P.B.T. G.F.	BLACK		1
2	PIN TERM.	PHOS. BRONZE T:0.25	GOLD/TIN PLATED	Gold:1~3u"; NI:40~60u"; TIN:120u" (100% pure Tin of lead free plating)	4
3	SHELL	BRASS T:0.3	NICKEL PLATED	NI:80~120u"	1

GENAL TOLERANCE	DATE	PART NO
	± 0.3	H. D. LI
	DESIGN	TITLE
	H. D. LI	USB TYPE B FLAT 90度 DIP
	CHECKED	
	Y. M. LU	
	APPROVED	
	J. F. KANG	
UNIT :mm		 宏揚精密有限公司 HOJAR PRECISION CO., LTD.