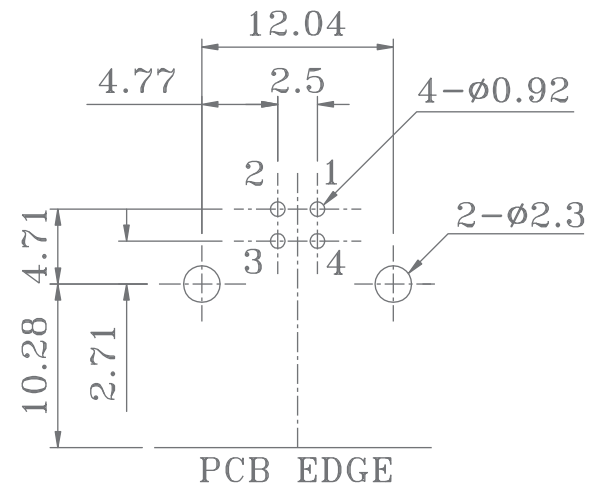


**ORDER INFORMATION:**

DHUSBBR066- $\frac{X}{a}$ -04- $\frac{XX}{bc}$ - $\frac{X}{d}$

- a. Plated selection :
  - 1 : Gold Flash
  - 2 : Gold 30u"
- b. Plastic Color :
  - B : Black
  - W : White
- c. Plastic material :
  - P : P.B.T (standard)
  - N : Nylon 9T
- d. Pack selection:
  - D : Disk Pack



(COMPONENT SIDE)  
PCB LAYOUT

NO.	NAME	MATERIAL	FINISH	REMARK	Q'TY
1	HOUSING	P.B.T. G.F.	WHITE		1
2	PIN TERM.	PHOS. BRONZE T:0.25	GOLD/TIN PLATED	Gold:1~3u"; NI:40~60u"; TIN:120u" (100% pure Tin of lead free plating)	4
3	SHELL	BRASS T:0.3	NICKEL PLATED	NI:2~3u	1

GENAL TOLERANCE ± 0.30	DATE H. D. LI	PART NO <b>DHUSBBR066-X-04-XX-X</b>
	DESIGN H. D. LI	TITLE USB TYPE B FLAT 90° DIP
	CHECKED Y. M. LU	
UNIT :mm	APPROVED J. F. KANG	宏揚精密有限公司 HOJAR PRECISION CO., LTD.