

# ORDER INFORMATION:

DUSBA1 - 081S -  $\frac{X}{a}$  -  $\frac{X}{b}$   $\frac{X}{c}$  -  $\frac{X}{d}$

a. Plated selection :

- 1 : Gold Flash
- 2 : Gold 30u"

b. Plastic Color :

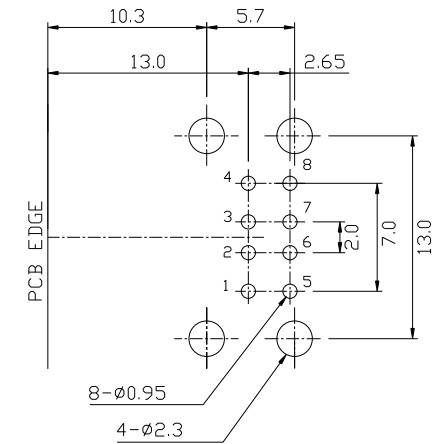
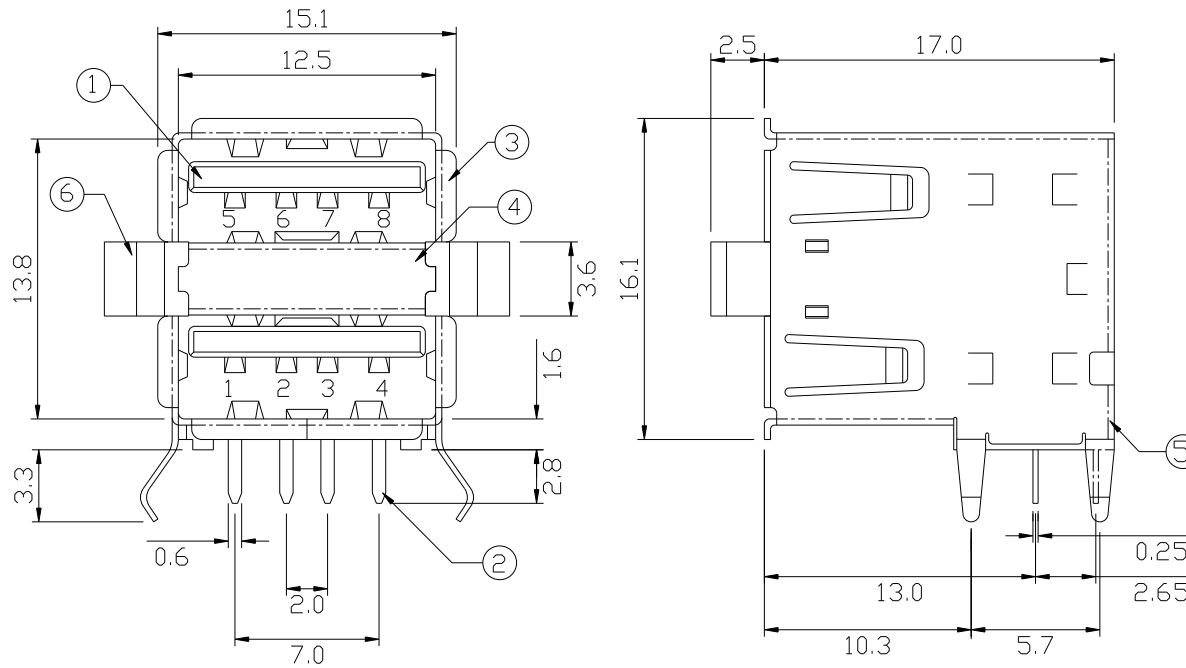
- B : Black
- W: White

c. Plastic material :

- P : P.B.T (standard)
- N : Nylon 9T


d. Pack selection:

- D : Disk Pack



PCB LAYOUT  
(BOTTOM VIEW)

NO.	NAME	MATERIAL	FINISH	Q'TY	REMARK
1	HOUSING	P.B.T.	BLACK	1	
2	PIN TERM.	PHOS. BRONZE	GOLD-TIN PLATED	8	Gold:1~3u" ; NI:40~60u" ; TIN:120u" (100% pure Tin of lead free plating)
3	SHELL	BRASS,0.3mm	NICKEL PLATED	1	NI:80~120u"
4	SHELL	BRASS,0.3mm	NICKEL PLATED	1	NI:80~120u"
5	SHELL	SPCC,0.3mm	NICKEL PLATED	1	NI:80~120u"
6	GROUND SPRING	STAINLESS,0.1mm		1	

GENERAL TOLERANCE  ± 0.3	DATE	H. D. LI	PART NO
	DESIGN	H. D. LI	DUSBA1-081S-X-XX-X
	CHECKED	Y. M. LU	TITLE
	APPROVED	J. F. KANG	DUAL USB TYPE A
UNIT :mm			 宏揚精密有限公司 HOJAR PRECISION CO., LTD.